

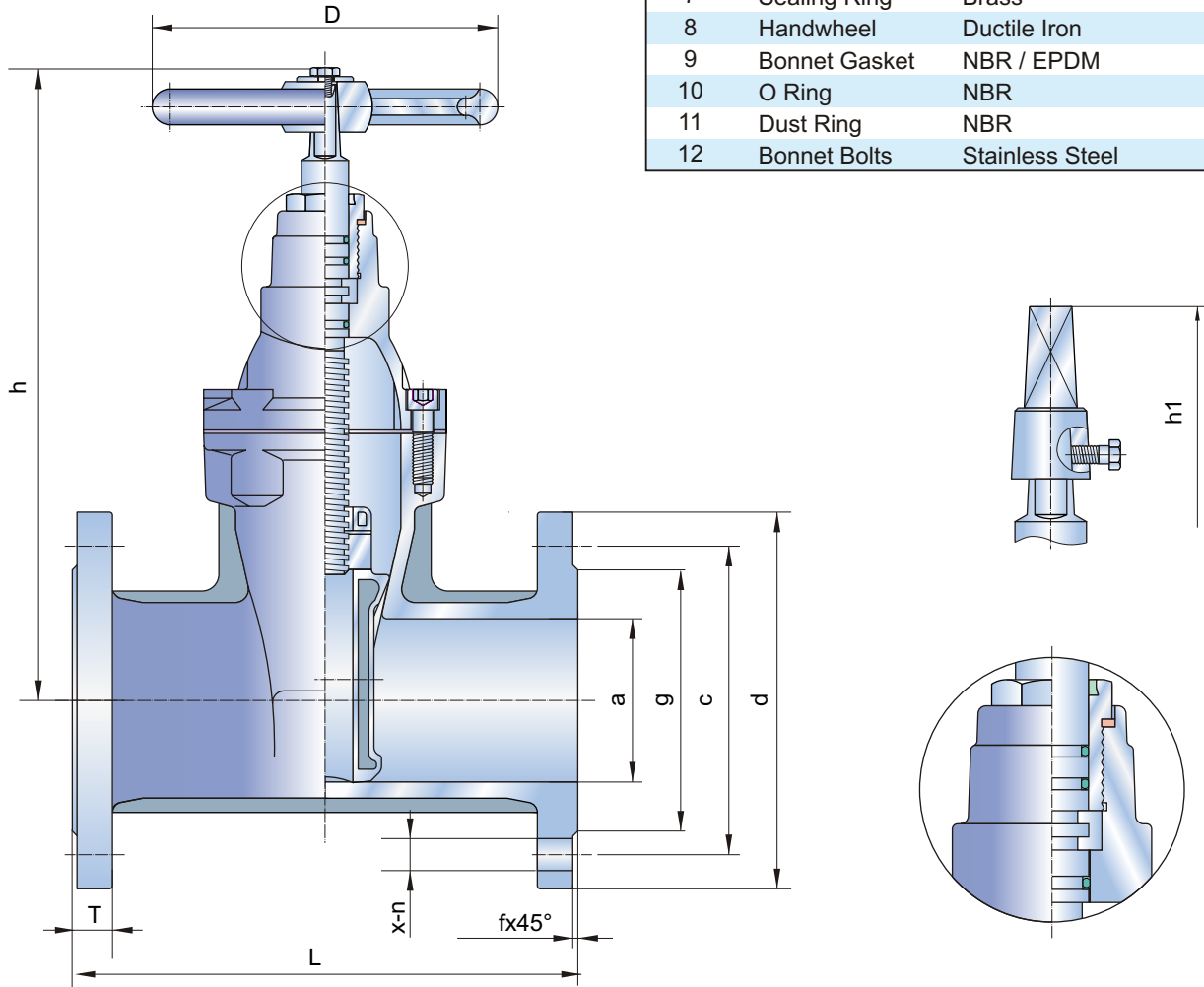


SPECIFICATIONS

Size	DN 40 - DN 600
Class	PN 10 - PN 16
Design	DIN 3352
Face to Face	DIN 3202 F5 / ISO 5752 15 Series
End Flange	DIN 2532-2533 / BS EN 1092
Test	DIN 3230

STANDARD MATERIALS OF MAIN PARTS

ITEM	PART NAME	MATERIAL
1	Body	Ductile Iron
2	Disc	Ductile Iron+NBR / EPDM
3	Bonnet	Ductile Iron
4	Stem	Stainless steel 410,431,316
5	Stem Nut	Brass
6	Holding Ring	Brass
7	Sealing Ring	Brass
8	Handwheel	Ductile Iron
9	Bonnet Gasket	NBR / EPDM
10	O Ring	NBR
11	Dust Ring	NBR
12	Bonnet Bolts	Stainless Steel



DIMENSIONS AND WEIGHTS

DN	OUTLINE mm				END FLANGE DIN PN 10/16 mm							WEIGHT kg
	L	h	D	h1	a	d	c	x-n	T	g	f	
40	240	285	180	355	40	150	110	4-φ19	19	84	3	13
50	250	290	180	360	50	165	125	4-φ19	19	99	3	15
65	270	295	180	365	65	185	145	4-φ19	19	118	3	16
80	280	340	205	410	80	200	160	8-φ19*	19	132	3	23
100	300	370	240	440	100	220	180	8-φ19	19	156	3	29
125	325	445	240	515	125	250	210	8-φ19	19	184	3	44
150	350	465	280	535	150	285	240	8-φ23	19	211	3	54
200	400	580	320	650	200	340	295	8-φ23 12-φ23	20	266	3	95
250	450	665	360	735	250	395 405	350 355	12-φ23 12-φ28	22	319	3	153
300	500	785	450	855	300	445 460	400 410	12-φ23 12-φ28	24.5	370	4	241
350	550	970	500	1040	350	505 520	460 470	16-φ23 16-φ28	26.5	429	4	355
400	600	1020	560	1120	400	565 580	515 525	16-φ28 16-φ31	28	480	4	475
450	650	1120	560	1200	450	615 640	565 585	20-φ28 20-φ31	30	530 548	4	590
500	700	1220	650	1300	500	670 715	620 650	20-φ28 20-φ34	31.5	582 609	4	730
600	800	1370	650	1470	600	780 840	725 770	20-φ31 20-φ37	36	682 720	5	890

\* PN10: DIN2532 4-φ19, BS EN1092 8-φ19