



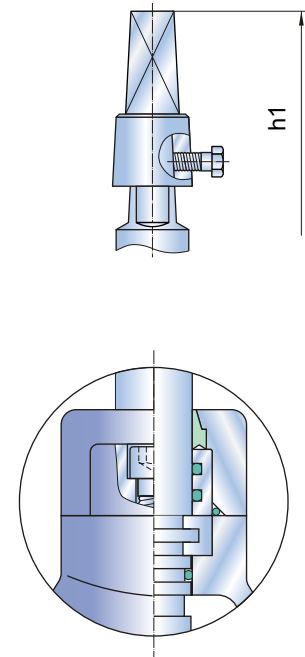
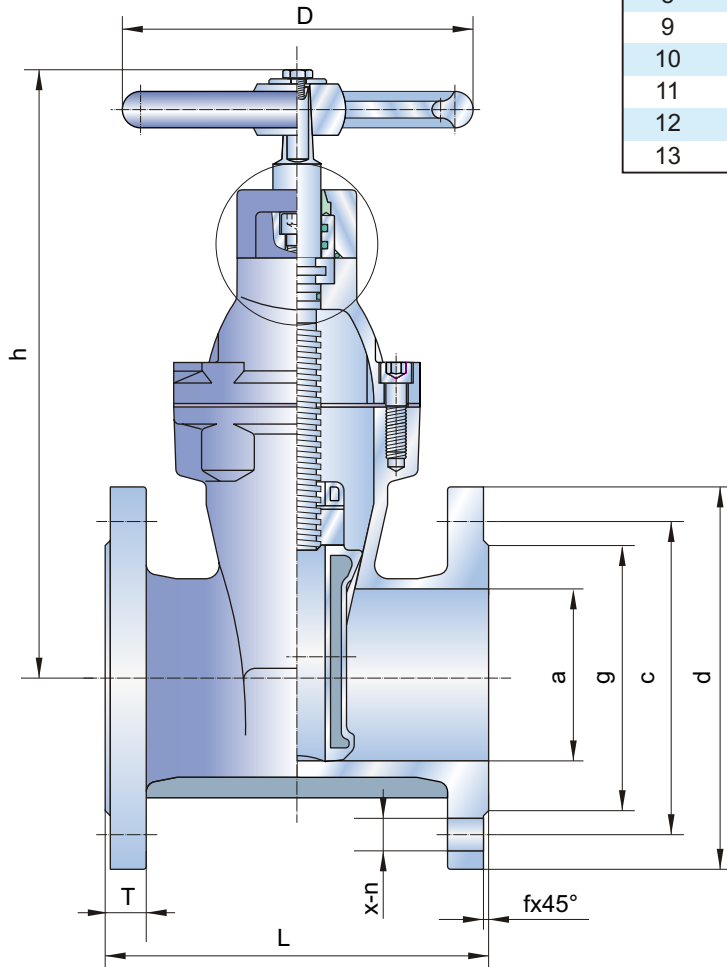
### SPECIFICATIONS

Size	DN 40 - DN 600
Class	PN 10 - PN 16
Design	BS 5163
Face to Face	BS 5163 / ISO 5752 3 Series
End Flange	BS 4504 / BS EN 1092
Test	BS 5163

### STANDARD MATERIALS OF MAIN PARTS

ITEM	PART NAME	MATERIAL
1	Body	Ductile Iron*
2	Disc	Ductile Iron+NBR / EPDM
3	Bonnet	Ductile Iron
4	Stem	Stainless steel 410,431,316
5	Stem Nut	Brass
6	Holding Ring	Brass
7	Sealing Ring	Brass
8	Gland	Ductile Iron
9	Handwheel	Ductile Iron
10	Bonnet Gasket	NBR / EPDM
11	O Ring	NBR
12	Dust Ring	NBR
13	Bonnet Bolts	Stainless Steel

\* Cast Iron on request



### DIMENSIONS AND WEIGHTS

DN	OUTLINE mm				END FLANGE BS PN 10/16 mm								WEIGHT kg
	L	h	D	h1	a	d	c	x-n	T	g	f		
40	165	275	180	345	40	150	110	4-φ19	19	84	3	12	
50	178	280	180	350	50	165	125	4-φ19	19	99	3	13	
65	190	300	180	370	65	185	145	4-φ19	19	118	3	15	
80	203	335	205	405	80	200	160	8-φ19	19	132	3	22	
100	229	341	240	411	100	220	180	8-φ19	19	156	3	26	
125	254	430	240	500	125	250	210	8-φ19	19	184	3	35	
150	267	485	280	555	150	285	240	8-φ23	19	211	3	50	
200	292	580	320	650	200	340	295	8-φ23 12-φ23	20	266	3	75	
250	330	680	360	750	250	395 405	350 355	12-φ23 12-φ28	22	319	3	125	
300	356	785	450	855	300	445 460	400 410	12-φ23 12-φ28	24.5	370	4	174	
350	381	880	500	950	350	505 520	460 470	16-φ23 16-φ28	26.5	429	4	320	
400	406	990	560	1060	400	565 580	515 525	16-φ28 16-φ31	28	480	4	430	
450	432	1120	560	1200	450	615 640	565 585	20-φ28 20-φ31	30	530 548	4	540	
500	457	1220	650	1300	500	670 715	620 650	20-φ28 20-φ34	31.5	582 609	4	690	
600	508	1370	650	1470	600	780 840	725 770	20-φ31 20-φ37	36	682 720	5	840	