



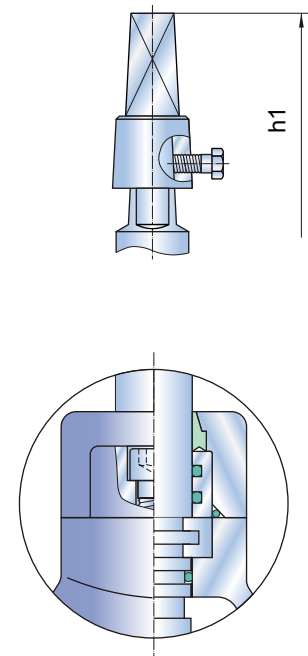
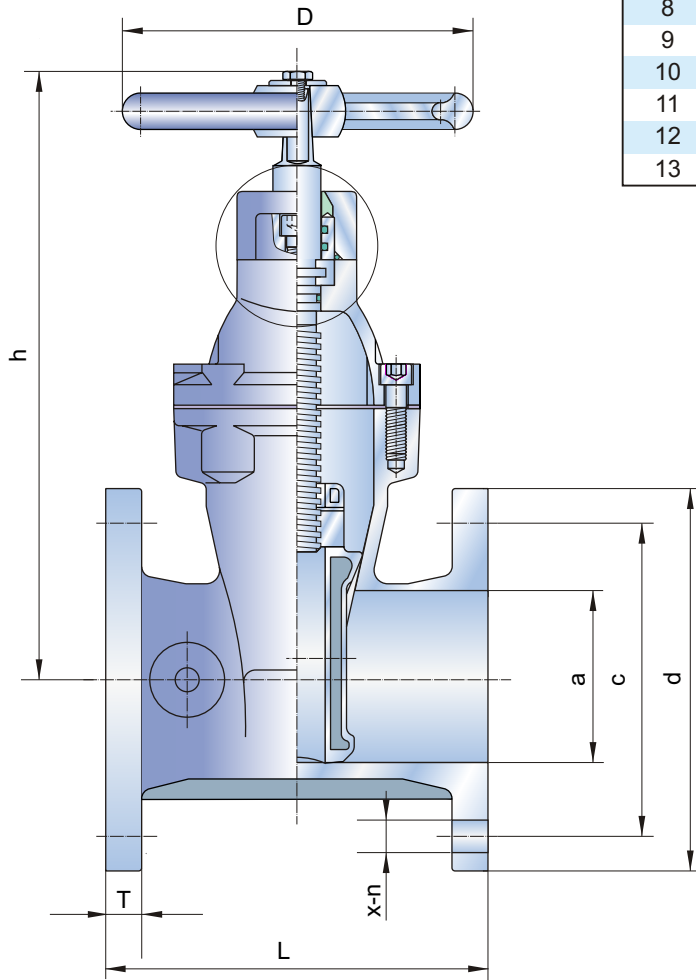
SPECIFICATIONS

Size	1-1/2" - 24" (DN40 - DN600)
Class	125 lbs - 150 lbs
Design	ANSI / AWWA C509
Face to Face	ASME B16.10 / ISO 5752 3 Series
End Flange	ASME B16.1, ASME B16.42
Test	ANSI/AWWA C509

STANDARD MATERIALS OF MAIN PARTS

ITEM	PART NAME	MATERIAL
1	Body	Ductile Iron*
2	Disc	Ductile Iron+NBR / EPDM
3	Bonnet	Ductile Iron
4	Stem	Stainless steel 410,431,316
5	Stem Nut	Brass
6	Holding Ring	Brass
7	Sealing Ring	Brass
8	Gland	Ductile Iron
9	Handwheel	Ductile Iron
10	Bonnet Gasket	NBR / EPDM
11	O Ring	NBR
12	Dust Ring	NBR
13	Bonnet Bolts	Stainless Steel

* Cast Iron on request



DIMENSIONS AND WEIGHTS

DN	OUTLINE mm				END FLANGE ANSI 125/150 mm					WEIGHT kg
	L	h	D	h1	a	d	c	x-n	T	
40	165	275	180	345	40	127	98.5	4-φ16	14.0	13
50	178	280	180	350	50	152	120.5	4-φ19	16.0	14
65	190	300	180	370	65	178	139.5	4-φ19	17.5	16
80	203	335	205	405	80	191	152.5	4-φ19	19.1	23
100	229	341	240	411	100	229	190.5	8-φ19	24.0	28
125	254	430	240	500	125	254	216.0	8-φ22	24.0	37
150	267	485	280	555	150	279	241.5	8-φ22	25.4	52
200	292	580	320	650	200	343	298.5	8-φ22	28.6	77
250	330	680	360	750	250	406	362.0	12-φ25	30.0	127
300	356	785	450	855	300	483	432.0	12-φ25	31.8	176
350	381	880	500	950	350	533	476.0	12-φ29	35.0	322
400	406	990	560	1060	400	597	539.0	16-φ29	37.0	432
450	432	1120	560	1200	450	635	578.0	16-φ32	40.0	542
500	457	1220	650	1300	500	699	635.0	20-φ32	43.0	695
600	508	1370	650	1470	600	813	749.5	20-φ35	48.0	845