

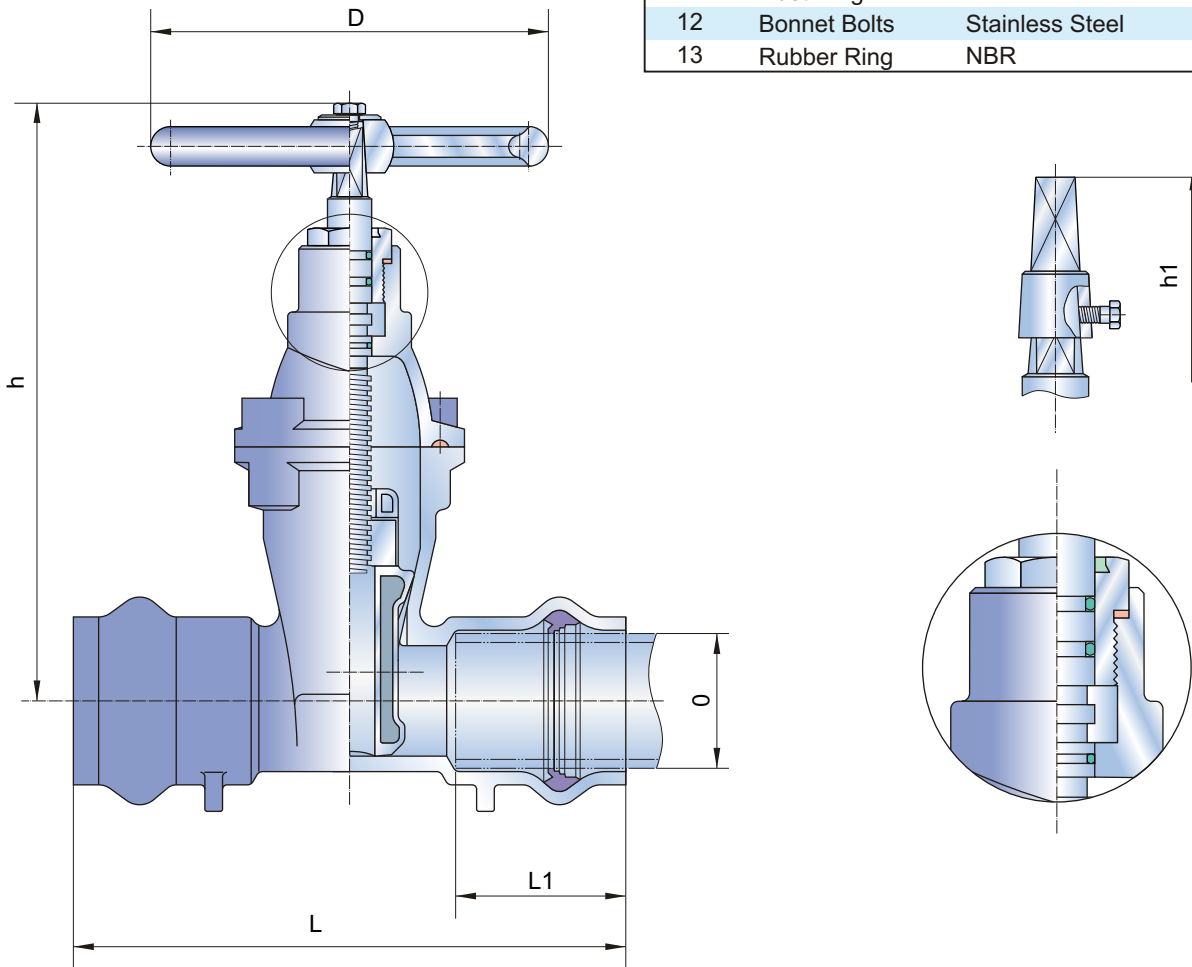


### SPECIFICATIONS

Size	DN 50 - DN 300
Class	PN 10 - PN 16
Design	DIN 3352
Face to Face	ISO 5752 15 Series
End Flange	Suitable for PVC Tube
Test	DIN 3230

### STANDARD MATERIALS OF MAIN PARTS

ITEM	PART NAME	MATERIAL
1	Body	Ductile Iron
2	Disc	Ductile Iron+NBR / EPDM
3	Bonnet	Ductile Iron
4	Stem	Stainless steel 410,431,316
5	Stem Nut	Brass
6	Holding Ring	Brass
7	Sealing Ring	Brass
8	Handwheel	Ductile Iron
9	Bonnet Gasket	NBR / EPDM
10	O Ring	NBR
11	Dust Ring	NBR
12	Bonnet Bolts	Stainless Steel
13	Rubber Ring	NBR



### DIMENSIONS AND WEIGHTS

DN	PVC Tube mm	OUTLINE mm					WEIGHT kg
	O	L	L1	h	h1	D	
50	63	250	77	300	370	180	11
65	75	270	80	310	380	180	12
80	90	280	84	350	420	205	18
100	110	300	88	380	450	240	23
125	125	325	91	420	490	240	38
	140	325	91	420	490	240	40
150	160	350	94	470	540	280	47
200	200	400	100	590	660	320	74
	225	400	100	590	660	320	78
250	250	450	125	680	750	360	127
300	315	500	140	790	860	450	191