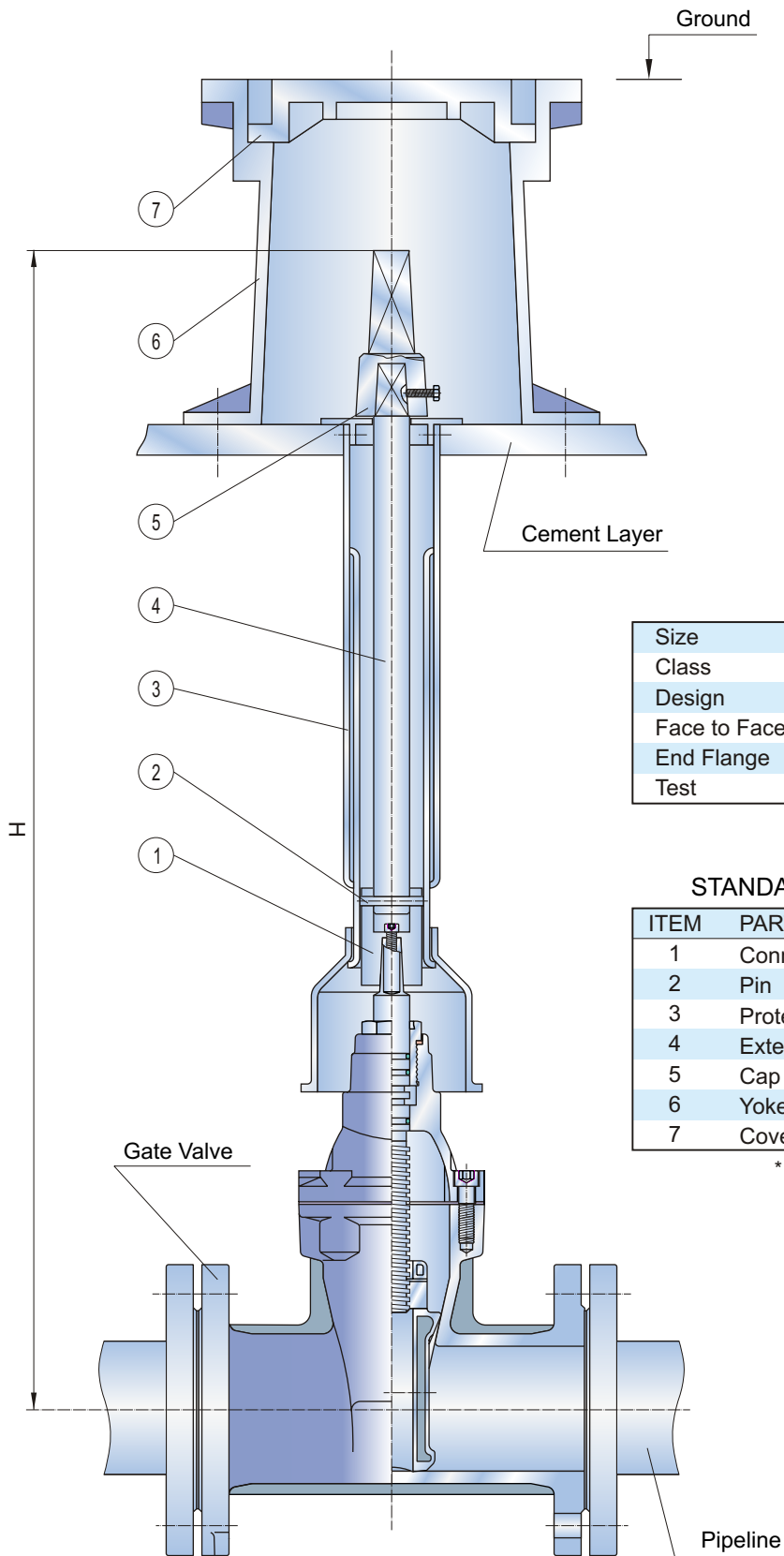


# Resilient Seat Gate Valve for Underground Use



## SPECIFICATIONS

Size	DN 40 - DN 600
Class	PN 10 - PN 16
Design	DIN 3352, BS5163, AWWA C509
Face to Face	DIN 3202, BS5163, ASME B16.10
End Flange	DIN, BS, ASME Standard
Test	DIN3230, BS5163, AWWA C509

## STANDARD MATERIALS OF MAIN PARTS

ITEM	PART NAME	MATERIAL
1	Connection	Ductile Iron
2	Pin	Carbon Steel
3	Protection Tube	PVC
4	Extension Stem	Carbon Steel
5	Cap	Ductile Iron
6	Yoke	Ductile Iron
7	Cover	Ductile Iron

\* H dimension as per customer requirement