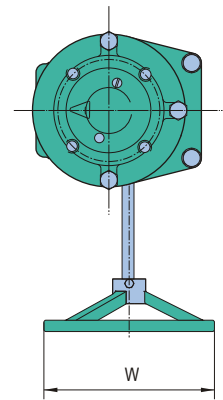
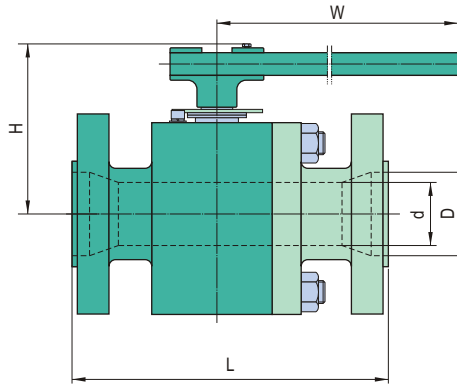
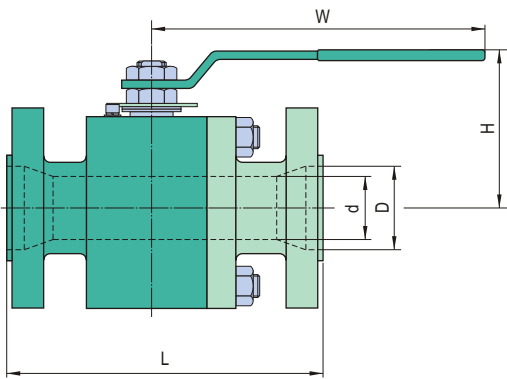




Dimensions and Weights



Full Bore Class 150

Size	D	L	H	W	Weight
in	mm	mm	mm	mm	Kg
1/2	13	108	81	150	2.8
3/4	19	117	85	150	3.7
1	25	127	98	180	5.3
1-1/2	38	165	133	280	8.3
2	51	178	141	280	11.2
2-1/2	64	191	139	400	18.4
3	76	203	150	400	23.0
4	102	229	223	650	39.3
5	125	356	276	1100	69.3
6	152	394	297	*300	90.0
8	203	457	378	*300	140.0
10	254	533	408	*400	230.0

Reduced Bore Class 150

Size	d	D	L	H	W	Weight
in	mm	mm	mm	mm	mm	Kg
3/4*1/2	13	19	117	81	150	3.5
1*3/4	19	25	127	85	150	5.0
1-1/2*1	25	38	165	98	180	7.5
2*1-1/2	38	51	178	133	280	10.0
2-1/2*2	51	64	191	141	280	16.0
3*2	51	76	203	141	280	21.0
4*3	76	102	229	150	400	35.0
6*4	102	152	267	223	650	73.0
8*6	152	203	292	297	*300	120.0
10*8	203	254	330	378	*300	200.0

\* Gear Operated

Full Bore Class 300

Size	D	L	H	W	Weight
in	mm	mm	mm	mm	Kg
1/2	13	140	81	150	3.0
3/4	19	152	85	150	4.0
1	25	165	98	180	6.6
1-1/2	38	191	133	280	12.9
2	51	216	141	280	18.9
2-1/2	64	241	139	400	28.0
3	76	283	150	400	39.0
4	102	305	223	650	60.0
5	125	381	298	1100	90.0
6	152	403	297	*300	130.0
8	203	502	378	*400	195.0
10	254	568	408	*400	290.0

Reduced Bore Class 300

Size	d	D	L	H	W	Weight
in	mm	mm	mm	mm	mm	Kg
3/4*1/2	13	19	152	81	150	3.7
1*3/4	19	25	165	85	150	5.8
1-1/2*1	25	38	191	98	180	10.5
2*1-1/2	38	51	216	133	280	16.1
2-1/2*2	51	64	241	141	280	24.5
3*2	51	76	283	141	280	34.7
4*3	76	102	305	150	400	53.0
6*4	102	152	403	223	650	100.0
8*6	152	203	419	297	*300	170.0
10*8	203	254	457	378	*400	250.0

\* Gear Operated

Full Bore Class 600

Size	D	L	H	W	Weight
in	mm	mm	mm	mm	Kg
1/2	13	165	66	150	3.5
3/4	19	191	88	170	5.0
1	25	216	90	250	7.5
1-1/2	38	241	120	400	15.0
2	51	292	135	400	23.0
3	76	356	164	400	48.0
4	102	432	224	995	80.0
6	152	559	260	*400	156.0

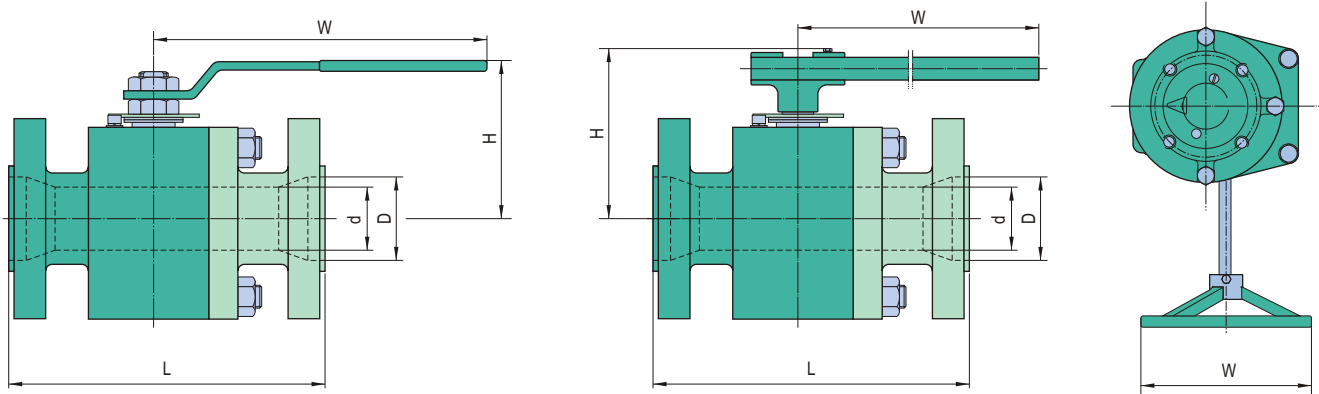
Reduced Bore Class 600

Size	d	D	L	H	W	Weight
in	mm	mm	mm	mm	mm	Kg
3/4*1/2	13	19	191	66	150	4.0
1*3/4	19	25	216	88	170	5.5
1-1/2*1	25	38	241	90	250	10.5
2*1-1/2	38	51	292	120	400	20.0
3*2	51	76	356	135	400	29.0
4*3	76	102	432	164	400	59.0
6*4	102	152	559	224	995	95.0
8*6	152	203	660	260	*400	190.0

\* Gear Operated



### Dimensions and Weights



Full Bore Class 900

Size	D	L	H	W	Weight
in	mm	mm	mm	mm	Kg
1/2	13	216	75	140	5.0
3/4	19	229	91	180	8.0
1	25	254	108	250	10.0
1-1/2	38	305	133	400	20.0
2	51	368	150	500	30.0
3	76	381	160	500	55.0

Reduced Bore Class 900

Size	d	D	L	H	W	Weight
in	mm	mm	mm	mm	mm	Kg
3/4*1/2	13	19	229	75	140	7.0
1*3/4	19	25	254	91	180	9.5
1-1/2*1	25	38	305	108	250	16.5
2*1-1/2	38	51	368	133	400	23.0
3*2	51	76	381	150	500	42.0
4*3	76	102	457	160	500	65.0

Full Bore Class 1500

Size	D	L	H	W	Weight
in	mm	mm	mm	mm	Kg
1/2	13	216	75	140	5.0
3/4	19	229	91	180	8.0
1	25	254	108	250	10.0
1-1/2	38	305	133	400	20.0
2	51	368	150	500	30.0
3	76	470	160	500	65.0

Reduced Bore Class 1500

Size	d	D	L	H	W	Weight
in	mm	mm	mm	mm	mm	Kg
3/4*1/2	13	19	229	75	140	7.0
1*3/4	19	25	254	91	180	9.5
1-1/2*1	25	38	305	108	250	16.5
2*1-1/2	38	51	368	133	400	23.0
3*2	51	76	470	150	500	60.0
4*3	76	102	546	160	500	78.0

Full Bore Class 2500

Size	D	L	H	W	Weight
in	mm	mm	mm	mm	Kg
1/2	13	264	88	230	7.5
3/4	19	273	117	230	12.0
1	25	308	128	300	15.0
1-1/2	38	384	148	400	30.0
2	51	451	183	500	37.5

Reduced Bore Class 2500

Size	d	D	L	H	W	Weight
in	mm	mm	mm	mm	mm	Kg
3/4*1/2	13	19	273	88	230	11.0
1*3/4	19	25	308	117	230	14.0
1-1/2*1	25	38	384	128	300	25.0
2*1-1/2	38	51	451	148	400	35.0
3*2	51	76	578	183	500	60.0