

Features

Size: 1/2"~6"
Class: 150~300
One Piece Cast Steel Body
Floating Ball, Reduced Bore
Anti-Static Device
Blow-out Proof Stem
Fire Safe Design

Specifications

Design	ASME B16.34/API 608
Face to Face	ASME B16.10
End to End	ASME B16.10
End Flange	ASME B16.5
Test	API 598
Fire Safe Test	API 607/API 6FA
Special	NACE MR-01-75

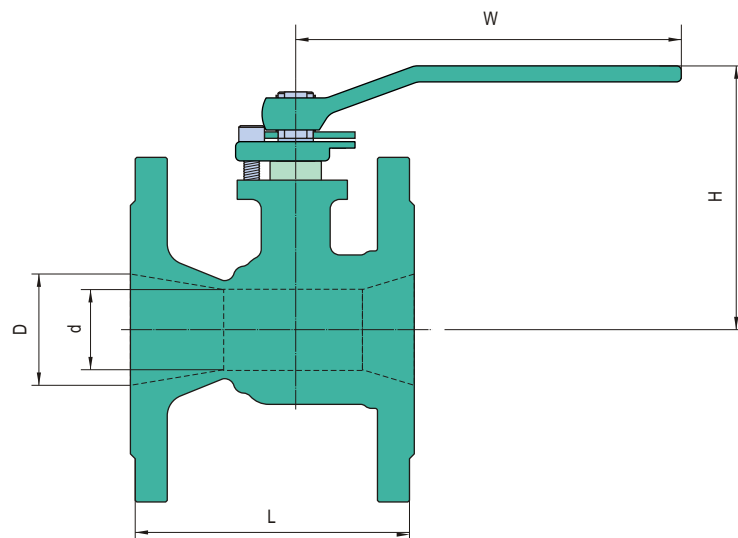


Material Specifications

No.	Part	WCB/ENP	WCB/316	CF8M/316	LCC/316 NACE
1	Body	ASTMA216-WCB	ASTMA216-WCB	ASTM A351-CF8M	ASTM A352-LCC
2	Seat	PTFE	PTFE	PTFE	PTFE
3	Ball	ASTMA105/ENP	ASTM A182-F316	ASTM A182-F316	ASTM A182-F316
4	Adapter	ASTM A216-WCB	ASTM A216-WCB	ASTM A351-CF8M	ASTM A352-LCC
5	*Body Gasket	304SS+Graphite	316SS+Graphite	316SS+Graphite	316SS+Graphite
6	Stem	ASTMA276-410	ASTMA276-316	ASTM A276-316	ASTM A276-316
7	Thrust Washer	PTFE	PTFE	PTFE	PTFE
8	*Packing	PTFE/Graphite	PTFE/Graphite	PTFE/Graphite	PTFE/Graphite
9	Gland	ASTM A276-410	ASTM A276-316	ASTM A276-316	ASTM A276-316
10	Gland Flange	ASTM A216-WCB	ASTM A216-WCB	ASTM A351-CF8M	ASTM A352-LCC
11	Screw	ASTMA193-B7	ASTMA193-B7	ASTM A193-B8	ASTM A320-L7M
12	Stop Plate	Carbon Steel	Carbon Steel	Stainless Steel	Carbon Steel
13	Retainer	Carbon Steel	Carbon Steel	Stainless Steel	Carbon Steel
14	Lever	Carbon Steel	Carbon Steel	Carbon Steel	Carbon Steel
15	Antistatic Spring	Stainless Steel	Stainless Steel	Stainless Steel	Stainless Steel
16	Steel Ball	Stainless Steel	Stainless Steel	Stainless Steel	Stainless Steel

* Recommended Spare Parts

Dimensions and Weights



Class 150

Size	d	D	L	H	W	Weight
in	mm	mm	mm	mm	mm	Kg
1/2	10	13	108	89	129	5.4
3/4	15	18	117	89	129	6.0
1	19	25	127	90	170	6.6
1-1/2	32	40	165	106	224	7.8
2	38	50	178	111	224	12
3	59	80	203	146	356	23
4	76	102	229	171	356	38
6	102	150	267	246	546	80

Class 300

Size	d	D	L	H	W	Weight
in	mm	mm	mm	mm	mm	Kg
1/2	10	13	140	89	129	6.0
3/4	15	18	152	89	129	6.6
1	19	25	165	90	170	7.2
1-1/2	32	40	191	106	224	13
2	38	50	216	111	224	18
3	59	80	283	160	356	36
4	76	102	305	186	506	54
6	102	150	403	284	762	108