

**Features**

Size: 1/2"~2"
Class: 800~1500
Three Pieces Forged Steel Body
Floating Ball
Anti-Static Device
Blow-out Proof Stem

**Specifications**

Design	ASME B16.34/BS 5351
End to End	Manufacturer Standard
Screwed End	ASME B1.20.1
Socket Welding End	ASME B16.11
Test	API 598/ BS 6755
Special	NACE MR-01-75

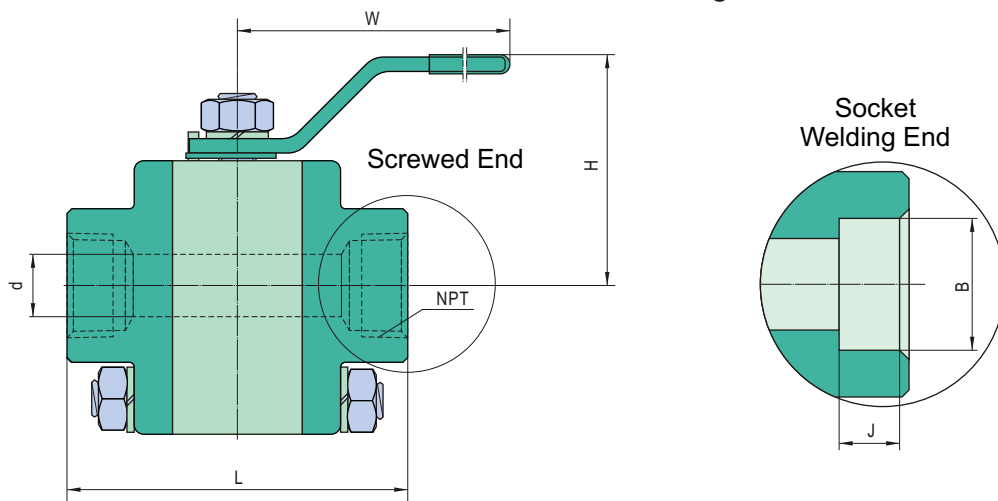


### Material Specifications

No.	Part	A105/304	A105/316	F316/316	LF2/316 NACE
1	Adapter	ASTM A105	ASTM A105	ASTM A182-F316	ASTM A350-LF2
2	Body Bolt	ASTM A193-B7	ASTM A193-B7	ASTM A193-B8	ASTM A320-L7M
3	Spring Washer	Carbon Steel	Carbon Steel	Stainless Steel	Stainless Steel
4	Body Nut	ASTM A194-2H	ASTM A194-2H	ASTM A194-8	ASTM A194-7M
5	Body	ASTM A105	ASTM A105	ASTM A182-F316	ASTM A350-LF2
6	Seat	PTFE	PTFE	PTFE	PTFE
7	Ball	ASTM A182-F304	ASTM A182-F316	ASTM A182-F316	ASTM A182-F316
8	Stem	ASTM A276-304	ASTM A276-316	ASTM A276-316	ASTM A276-316
9	Thrust Washer	PTFE	PTFE	PTFE	PTFE
10	* Stem Packing	PTFE	PTFE	PTFE	PTFE
11	Gland	ASTM A276-410	ASTM A276-410	ASTM A276-316	ASTM A276-316
12	Stop Plate	Carbon Steel	Carbon Steel	Carbon Steel	Carbon Steel
13	Stop Pin	Carbon Steel	Carbon Steel	Stainless Steel	Stainless Steel
14	Spring Washer	Carbon Steel	Carbon Steel	Stainless Steel	Stainless Steel
15	Lever Nut	ASTM A194-2H	ASTM A194-2H	ASTM A194-8	ASTM A194-7M
16	Lever	Carbon Steel	Carbon Steel	Carbon Steel	Carbon Steel
17	Antistatic Spring	Stainless Steel	Stainless Steel	Stainless Steel	Stainless Steel
18	Steel ball	Stainless Steel	Stainless Steel	Stainless Steel	Stainless Steel
19	* Body Gasket	PTFE	PTFE	PTFE	PTFE

\* Recommended Spare Parts

### Dimensions and Weights



Class 800/1500

Size	d	L	H	W	B	J	NPT	Weight
in	mm	mm	mm	mm	mm	mm	in	Kg
1/2	13	92	65	140	21.8	10	1/2	1.5
3/4	18	111	75	140	27.1	13	3/4	1.7
1	23.5	127	85	200	33.8	13	1	3.3
1-1/4	28	140	98	230	42.6	13	1-1/4	7.0
1-1/2	35	152	105	240	48.7	13	1-1/2	8.0
2	49	172	115	240	61.2	16	2	11.0

Note: Butt Welding End is on request