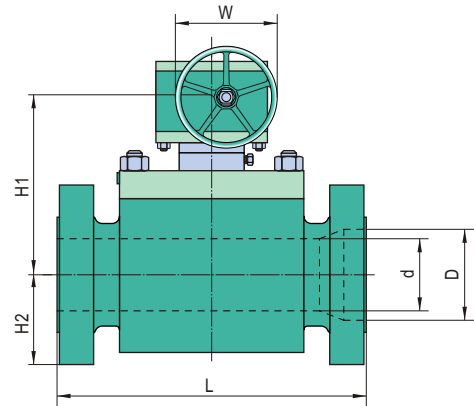
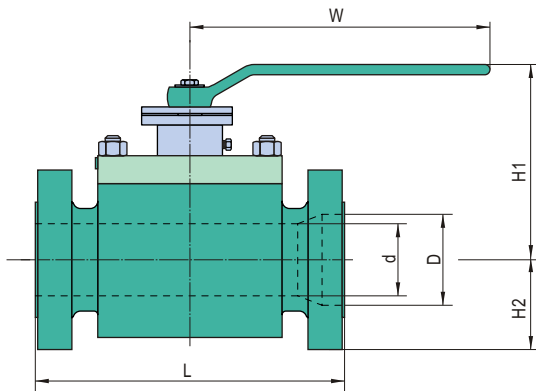




Dimensions and Weights



Full Bore Class 150

Size	D	L	H1	H2	W	Weight
in	mm	mm	mm	mm	mm	Kg
2	51	292	210	83	350	46
3	76	356	225	110	400	83
4	102	432	260	143	450	156
6	152	559	295	217	*305	256
8	203	660	322	264	*406	453
10	254	787	357	313	*406	622
12	305	838	405	372	*406	747
14	337	889	455	430	*406	959
16	387	991	470	452	*600	1220
18	438	1092	500	470	*600	1640
20	489	1194	555	583	*600	2118
24	591	1397	600	594	*700	2950

* Gear Operated

Reduced Bore Class 150

Size	d	D	L	H1	H2	W	Weight
in	mm	mm	mm	mm	mm	mm	Kg
2*1-1/2	38	51	292	180	78	250	41
3*2	51	76	356	210	83	350	58
4*3	76	102	432	225	110	400	104
6*4	102	152	559	260	143	450	228
8*6	152	203	660	295	217	*305	320
10*8	203	254	787	322	264	*406	536
12*10	254	305	838	357	313	*406	685
14*10	254	337	889	357	313	*406	740
14*12	305	337	889	405	372	*406	840
16*12	305	387	991	405	372	*406	924
16*14	337	387	991	455	430	*406	1070
18*14	337	438	1092	455	430	*406	1177
18*16	387	438	1092	463	452	*600	1430
20*16	387	489	1194	463	452	*600	1681
20*18	438	489	1194	500	470	*600	1850
24*20	489	591	1397	555	583	*600	2450

Full Bore Class 300

Size	D	L	H1	H2	W	Weight
in	mm	mm	mm	mm	mm	Kg
2	51	292	210	83	400	49
3	76	356	225	110	450	87
4	102	432	260	143	500	164
6	152	559	295	217	*305	272
8	203	660	330	264	*406	479
10	254	787	365	313	*406	657
12	305	838	415	400	*500	783
14	337	889	460	430	*600	1007
16	387	991	480	452	*600	1281
18	438	1092	523	470	*600	1722
20	489	1194	585	583	*600	2224
24	591	1397	635	594	*760	3100

* Gear Operated

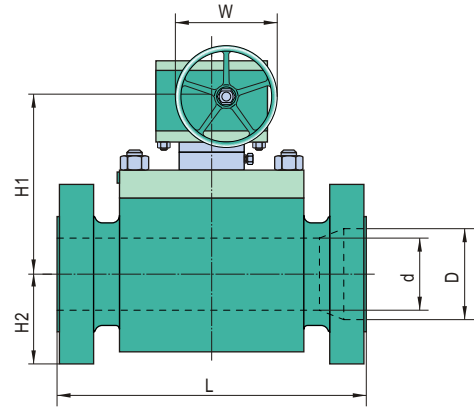
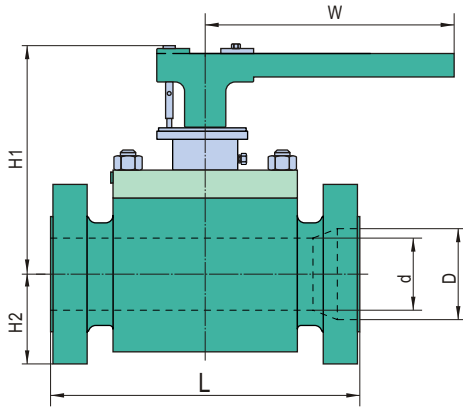
Reduced Bore Class 300

Size	d	D	L	H1	H2	W	Weight
in	mm	mm	mm	mm	mm	mm	Kg
2*1-1/2	38	51	292	180	78	250	44
3*2	51	76	356	210	83	400	62
4*3	76	102	432	225	110	450	110
6*4	102	152	559	260	143	500	243
8*6	152	203	660	295	217	*305	343
10*8	203	254	787	330	264	*406	559
12*10	254	305	838	365	313	*406	725
14*10	254	337	889	365	313	*406	798
14*12	305	337	889	415	400	*500	890
16*12	305	387	991	415	400	*500	1052
16*14	337	387	991	460	430	*600	1120
18*14	337	438	1092	460	430	*600	1288
18*16	387	438	1092	480	452	*600	1480
20*16	387	489	1194	480	452	*600	1728
20*18	438	489	1194	523	470	*600	1960
24*20	489	591	1397	585	583	*600	2650



Series TT Top Entry Forged Trunnion Mounted Ball Valve

Dimensions and Weights



Full Bore Class 600

Size	D	L	H1	H2	W	Weight
in	mm	mm	mm	mm	mm	Kg
2	51	292	210	83	400	52
3	76	356	225	110	500	92
4	102	432	260	143	700	173
6	152	559	295	217	*406	285
8	203	660	330	264	*406	504
10	254	787	370	313	*600	680
12	305	838	425	400	*600	819

Reduced Bore Class 600

Size	d	D	L	H1	H2	W	Weight
in	mm	mm	mm	mm	mm	mm	Kg
2*1-1/2	38	51	292	180	78	350	46
3*2	51	76	356	210	83	400	74
4*3	76	102	432	225	110	500	120
6*4	102	152	559	260	143	700	249
8*6	152	203	660	295	217	*406	380
10*8	203	254	787	330	264	*406	587
12*10	254	305	838	370	313	*600	752

* Gear Operated

Full Bore Class 900

Size	D	L	H1	H2	W	Weight
in	mm	mm	mm	mm	mm	Kg
2	51	368	210	83	450	60
3	76	381	225	110	600	100
4	102	457	260	143	*305	204
6	152	610	295	225	*406	420
8	203	737	335	270	*600	644
10	254	838	377	320	*600	943
12	305	965	510	415	*600	1295

Reduced Bore Class 900

Size	d	D	L	H1	H2	W	Weight
in	mm	mm	mm	mm	mm	mm	Kg
2*1-1/2	38	51	368	180	78	400	54
3*2	51	76	381	210	83	450	80
4*3	76	102	457	225	110	600	148
6*4	102	152	610	260	143	*305	305
8*6	152	203	737	295	225	*406	552
10*8	203	254	838	335	270	*600	748
12*10	254	305	965	377	320	*600	1048

* Gear Operated

Full Bore Class 1500

Size	D	L	H1	H2	W	Weight
in	mm	mm	mm	mm	mm	Kg
2	51	368	210	83	450	69
3	76	470	235	120	700	133
4	102	546	290	153	*406	256
6	146	705	300	235	*600	667
8	194	832	350	282	*600	865
10	241	991	400	335	*600	1375
12	289	1130	525	425	*600	2175

Reduced Bore Class 1500

Size	d	D	L	H1	H2	W	Weight
in	mm	mm	mm	mm	mm	mm	Kg
2*1-1/2	38	51	368	180	78	400	63
3*2	51	76	470	235	120	450	95
4*3	76	102	546	290	153	700	183
6*4	102	146	705	300	235	*406	359
8*6	146	194	832	350	282	*600	794
10*8	194	241	991	400	335	*600	1070
12*10	241	289	1130	525	425	*600	1541

* Gear Operated