



Type: Wafer, Lugged
Face to Face: API609, BS EN 558, DIN3202, ISO 5752
Flange: DIN, BS, UNI, ISO, ANSI, AS, JIS
Mounting Flange: ISO5211

Working Pressure: PN10 (150PSI)
Application: HVAC, Water Supply & Sewage, Food & Beverage, Chemical/Petrochemical/Processing, Power and Utilities, Paper and Pulp, Ship Building

Retaining System

The shaft is retained in the body with a retaining ring, a thrust washer and two C-rings, providing a "blow-out proof" shaft assembly. The retaining ring may be easily removed with a standard hand tool on field disassembly.

Shaft

One-piece through shaft ensures dependability and positive disc positioning.

Bushings (4-5)

Shaft bushings reduce torque and isolate the shaft from the valve body, preventing seizure of the shaft due to corrosion in the shaft journal.

Seat / Body

The tongue-and-groove seat to body retention method make field replacement simple and fast. The resilient seat features lower torque and eliminates the need for flange gaskets.

*Optional: Phenolic-backed seat can be used (Series 301)

Disc and Shaft Connection

The spline or square connection eliminates shaft retention components being exposed to the line media, Maximum flow is achieved.

Mounting Flange

ISO 5211 mounting flange accommodates direct mounting of all types of actuators, including: handles, gear operators, electric and pneumatic.

O-Ring (1-2)

Shaft seal provides further assurance against shaft leakage.

Hub Seal

Smooth finished disc flats mate with seat flats to give a highly efficient primary seal that prevents leakage into the shaft area.

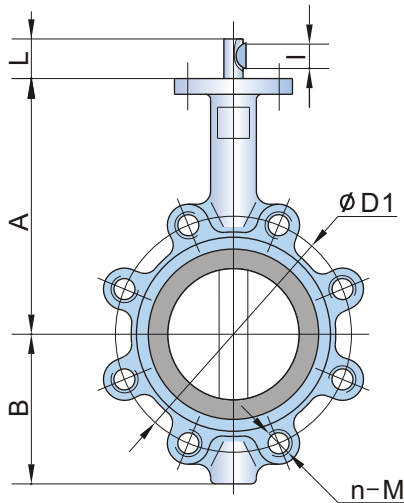
Disc

Precision profile provides bubble-tight shut-off, assures minimum torque and longer seat life.

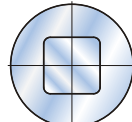




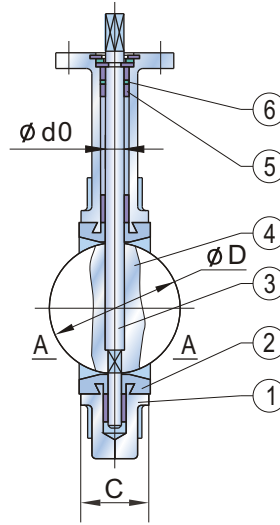
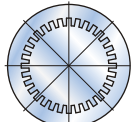
LUG TYPE
Series 300L



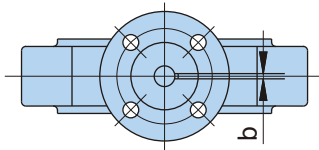
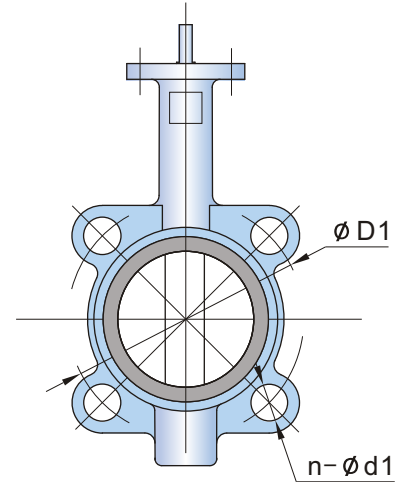
A-A SECTION



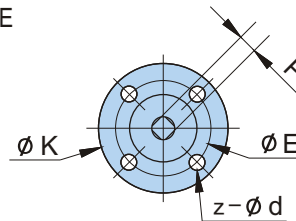
A-A SECTION



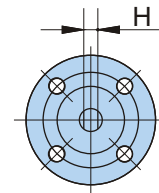
WAFER TYPE
Series 300W



ROUND WITH KEY



DIAGONAL SQUARE HEAD



DOUBLE D HEAD

STANDARD MATERIALS OF MAIN PARTS

ITEM	PART NAME	MATERIAL
1	Body	Cast Iron, Ductile Iron, Carbon Steel, Stainless Steel
2	Seat	NBR, EPDM, Viton, Neoprene, Hypalon, Silicon
3	Shaft	Stainless Steel 410, 316, 17-4PH
4	Disc	Ductile Iron+Ni (Nylon/Epoxy), CF8, CF8M, Bronze
5	Bushing	PTFE
6	O Ring	NBR, EPDM

DIMENSIONS AND WEIGHTS

SIZE		A	B	C	D	L	d0	P	H	KEY bXI	UPPER FLANGE			ANSI 150			DIN PN10/16			Weight (kg)	
in	DN										K	E	z-d	D1	n-d1	M	D1	n-d1	M	Wafer	Lug
2	50	160	80	42.4	56	32	14.3/12.6	11/9	10	3X16	90	70	4-9	120.5	4-19	5/8"	125	4-18	M16	2.5	3.8
2-1/2	65	175	89	45.8	67.87	32	14.3/12.6	11/9	10	3X16	90	70	4-9	139.5	4-19	5/8"	145	4-18	M16	3.2	4.2
3	80	181	95	45.8	80.5	32	14.3/12.6	11/9	10	3X16	90	70	4-9	152.5	4-19	5/8"	160	4/8-18	M16	3.8	4.7
4	100	200	114	52	106	32	15.77	11	12	5X19	90	70	4-9	190.5	8-19	5/8"	180	8-18	M16	4.9	9.0
5	125	213	127	55	131	32	18.92	14	14	5X19	90	70	4-9	216	8-22	3/4"	210	8-18	M16	7	10.9
6	150	226	139	55	153	32	18.92	14	14	5X19	90	70	4-9	241.5	8-22	3/4"	240	8-23	M20	7.8	14.2
8	200	260	175	61	204.8	45	22.1	17	17	5X19	125	102	4-12	298.5	8-22	3/4"	295	8/12-23	M20	13.2	18.2
10	250	292	203	67.2	255.4	45	28.45	22	22	8X28	125	102	4-12	362	12-25	7/8"	350/355	12-23/27	M20/M24	19.2	26.8
12	300	337	242	77	306.6	45	31.6	22	24	8X28	140	102	4-12	432	12-25	7/8"	400/410	12-23/27	M20/M24	32.5	40
14	350	368	267	77	333.3	45	31.6	22	24	8X28	140	102	4-12	476	12-29	1"	460/470	16-23/27	M20/M24	43.8	58.8
16	400	400	309	86.5	389.6	51.2	33.15	24	24	10X50	197	140	4-18	540	16-29	1"	515/525	16-27/30	M24/M27	64.7	101

NOTE: 1. The type of key for size 16" is flat.

2. The valve with Phenolic-backed seat can be supplied as per customer requirement, which series number is 301.