



Type: Flanged
Face to Face: DIN3202, ISO 5752
Flange: DIN, BS, UNI, ISO, ANSI
Mounting Flange: ISO5211

Working Pressure: DN100 – 600: PN16 (200PSI)
DN700 and above: PN10 (150PSI)
Application: Water Supply & Sewage,
Chemical/Petrochemical/Processing,
Power and Utilities, Paper and Pulp

Mounting Flange

ISO 5211 mounting flange accommodates direct mounting of all types of actuators, including: handles, gear operators, electric and pneumatic.

Bushings

Shaft bushings reduce torque easy for operation.

Disc Seal Ring

Disc seal rings resilient seal with several elastomer compounds to meet different application demands

Disc

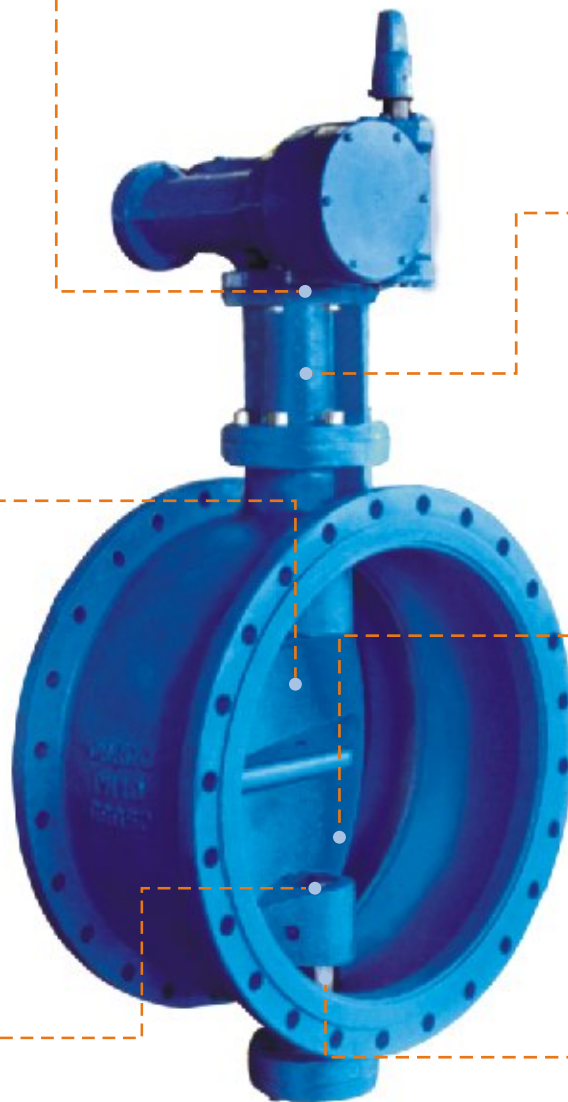
The disc is double eccentric design for reducing the friction between disc and body seat during valve closing and opening.

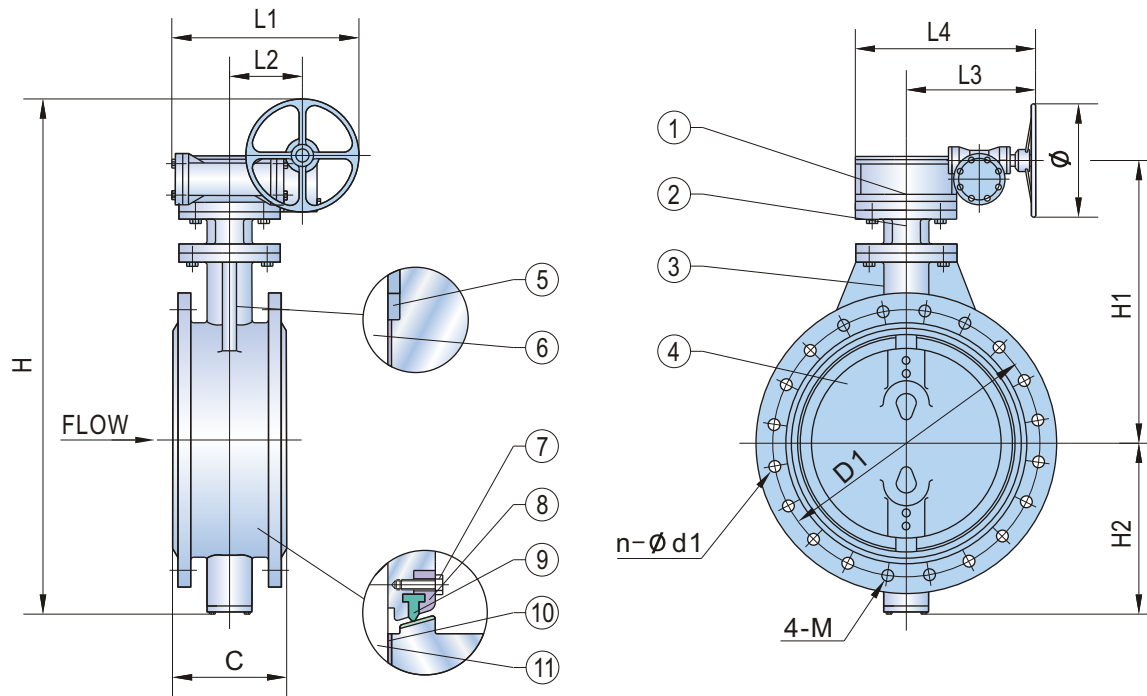
Disc and Shaft Connection

The connection by locating taper pins between disc and shaft ensure positive, vibration proof.

Two Piece Shaft

The shaft is designed with two pieces type and blow-out by locating taper pins.





STANDARD MATERIALS OF MAIN PARTS

| ITEM | PART NAME | MATERIAL |
|------|----------------|---------------------------------------|
| 1 | Gear | Cast Iron, Ductile Iron |
| 2 | Support | Cast Iron, Ductile Iron |
| 3 | Body | Cast Iron / Ductile Iron SS 304 Faced |
| 4 | Disc | Ductile Iron |
| 5 | Packing | NBR |
| 6 | Upper Shaft | 13Cr |
| 7 | Bolt | Carbon Steel |
| 8 | Retainer | Carbon Steel |
| 9 | Disc Seal Ring | NBR, EPDM |
| 10 | Bushing | Carbon Steel + PTFE, Brass |
| 11 | Lower Shaft | 13Cr |

DIMENSIONS AND WEIGHTS

| SIZE | | H | H1 | H2 | C | | L1 | L2 | L3 | L4 | Ø | DIN PN10/16 | | | Weight (kg) | | |
|------|------|-------|------|------|-------|------|------|-----|-----|------|-----|-------------|-------|--------------|-------------|-------|------|
| in | DN | | | | SHORT | LONG | | | | | | D1 | | SHORT (PN10) | LONG | SHORT | LONG |
| | | | | | | | | | | | | n-d1 | 4-M | | | | |
| 4 | 100 | 446 | 234 | 122 | - | 190 | 202 | 48 | 121 | 180 | 180 | 180 | - | - | 8-18 | - | 25 |
| 6 | 150 | 521.5 | 279 | 153 | - | 210 | 222 | 58 | 128 | 194 | 180 | 240 | - | - | 8-23 | - | 37 |
| 8 | 200 | 690 | 349 | 216 | 89 | 230 | 275 | 70 | 163 | 241 | 250 | 295 | 4-23 | 4-M20 | 8/12-23 | 53 | 63 |
| 10 | 250 | 782 | 398 | 209 | 114 | 250 | 368 | 95 | 193 | 291 | 350 | 350/355 | 8-23 | 4-M20 | 12-23/27 | 81 | 94 |
| 12 | 300 | 980 | 556 | 277 | 114 | 270 | 449 | 178 | 358 | 473 | 300 | 400/410 | 8-23 | 4-M20 | 12-23/27 | 128 | 148 |
| 14 | 350 | 1048 | 586 | 315 | 127 | 290 | 449 | 178 | 358 | 473 | 300 | 460/470 | 12-23 | 4-M20 | 16-23/27 | 156 | 188 |
| 16 | 400 | 1138 | 653 | 335 | 140 | 310 | 486 | 196 | 384 | 528 | 300 | 515/525 | 12-27 | 4-M24 | 16-27/30 | 205 | 237 |
| 18 | 450 | 1202 | 672 | 380 | 152 | 330 | 486 | 196 | 384 | 528 | 300 | 565/585 | 16-27 | 4-M24 | 20-27/30 | 228 | 268 |
| 20 | 500 | 1421 | 793 | 428 | 152 | 350 | 627 | 244 | 407 | 596 | 400 | 620/650 | 16-27 | 4-M24 | 20-27/33 | 242 | 289 |
| 24 | 600 | 1488 | 808 | 480 | 178 | 390 | 627 | 244 | 407 | 596 | 400 | 725/770 | 16-30 | 4-M27 | 20-30/36 | 414 | 480 |
| 28 | 700 | 1889 | 1058 | 681 | 229 | 430 | 635 | 370 | 591 | 711 | 300 | 840 | 20-30 | 4-M27 | 24-30/36 | 522 | 615 |
| 32 | 800 | 2032 | 1133 | 749 | 241 | 470 | 635 | 370 | 591 | 711 | 300 | 950 | 20-33 | 4-M30 | 24-33/39 | 689 | 818 |
| 36 | 900 | 2258 | 1266 | 842 | 241 | 510 | 955 | 455 | 591 | 807 | 300 | 1050 | 24-33 | 4-M30 | 28-33/39 | 804 | 956 |
| 40 | 1000 | 2325 | 1286 | 889 | 300 | 550 | 955 | 455 | 591 | 807 | 300 | 1160/1170 | 24-36 | 4-M33 | 28-36/42 | 1177 | 1277 |
| 48 | 1200 | 2796 | 1568 | 978 | 350 | 630 | 1190 | 680 | 801 | 1089 | 300 | 1380/1390 | 28-39 | 4-M36 | 32-39/48 | 1508 | 1764 |
| 56 | 1400 | 2996 | 1668 | 1078 | 390 | 710 | 1270 | 598 | 801 | 1089 | 500 | 1590 | 32-42 | 4-M39 | 36-42/48 | 1963 | 2560 |
| 64 | 1600 | 3246 | 1778 | 1218 | 440 | 790 | 1270 | 598 | 801 | 1089 | 500 | 1820 | 36-48 | 4-M45 | 40-48/56 | 2965 | 4953 |

NOTE: C SHORT is conform with ISO 5752 16 Series, DIN 3202 K3 Series, C LONG is conform with ISO 5752 14 Series, DIN 3202 F4 Series.