



Type: Threaded
Face to Face: Manufacturer Standard
End: ANSI/ASME B1.20.3

Working Pressure: PN16(200PSI)
Application: Water Supply & Sewage,
Chemical/Petrochemical/Processing,
Power and Utilities, Paper and Pulp

Shaft

Superior shaft strength provides extra durability and long life.

Lockable Lever

The valve is designed with locking holes in the mounting flange and lever to be easily locked in full open and full close positions.

O-Ring

Both disc and shaft O-Ring are standard rubber material and can easily be replaced in the field.

Disc

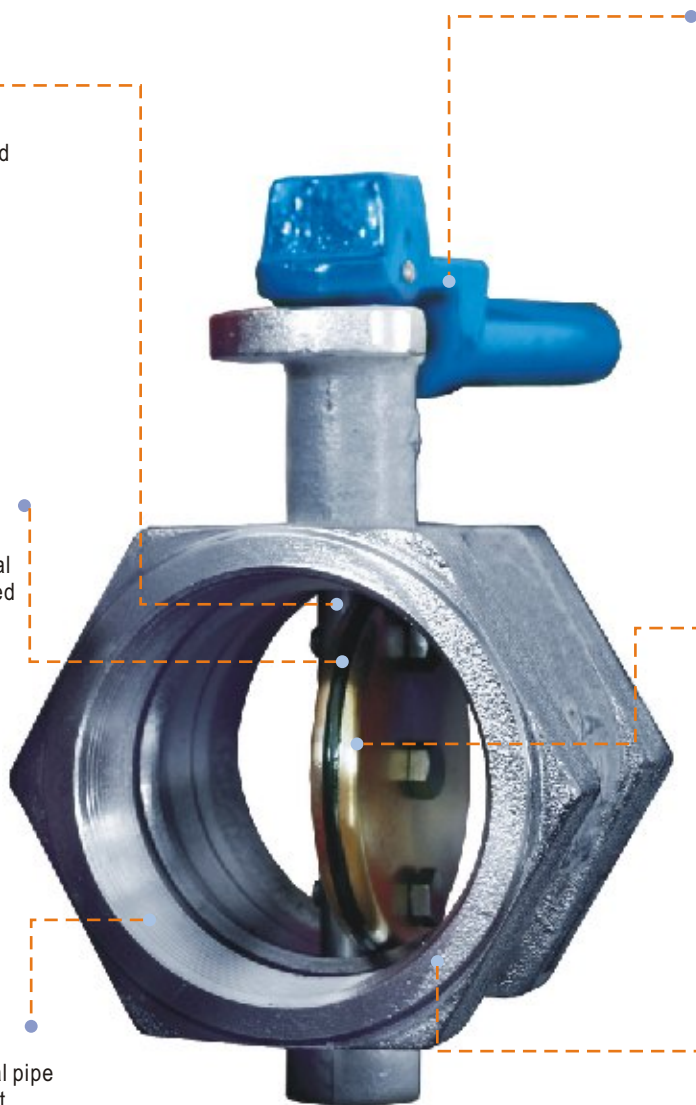
A polished bronze disc with replaceable O-Ring assures bubble-tight shut-off. Maximum disc diameter has a greater free flow area.

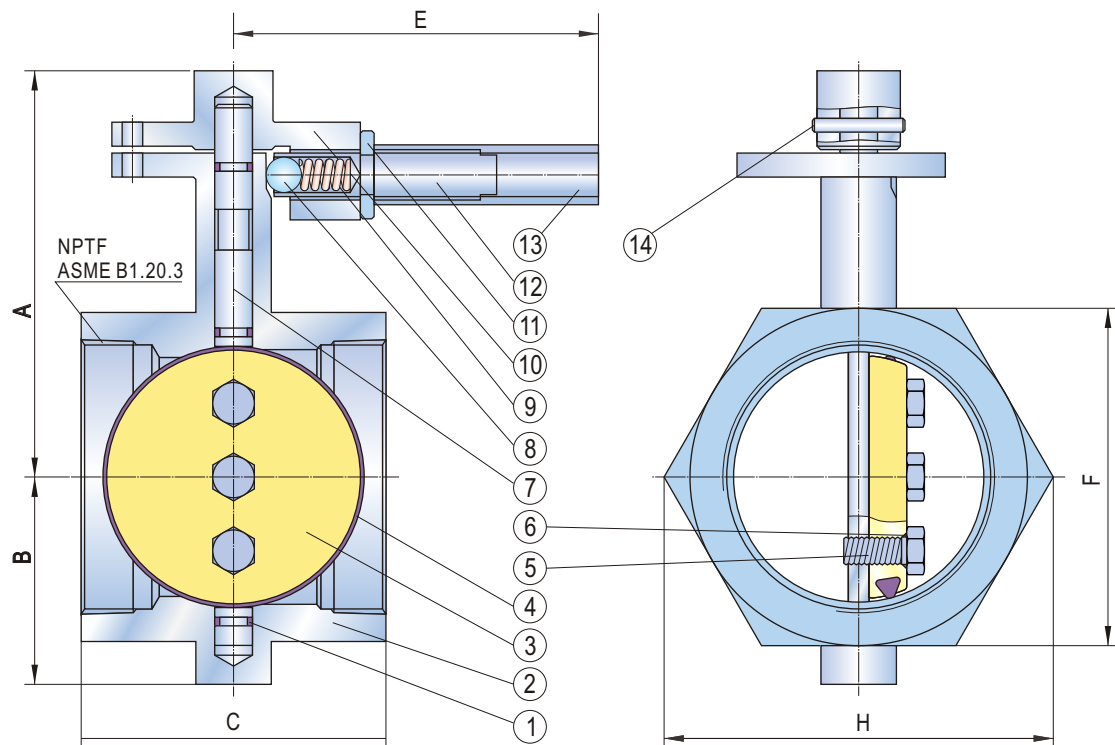
Dry Seal Pipe Thread

NPTF type thread is dry seal pipe thread to seal pressure tight joints without the sealing compounds.

Body

One piece cast iron Nickel plated body, a good choice for harsh environment.





STANDARD MATERIALS OF MAIN PARTS

ITEM	PART NAME	MATERIAL
1	Shaft O Ring	NBR, EPDM, Viton
2	Body	Cast Iron/Ductile Iron Nickel Plated
3	Disc	Bronze
4	Disc O Ring	NBR, EPDM, Viton
5	Disc Bolt	Stainless Steel
6	O Ring	NBR, EPDM, Viton
7	Shaft	Stainless Steel 410
8	Lever Ball	Ball Bearing Steel
9	Lever Spring	Stainless Steel
10	Lever	Ductile Iron
11	Lever Lock Nut	Carbon Steel Zinc Plated
12	Lever Connection	Carbon Steel
13	Lever Extension	Carbon Steel Pipe
14	Lever Pin	Carbon Steel

DIMENSIONS AND WEIGHTS

SIZE		A	B	C	E	F	H	Weight (kg)
in	DN							
2	50	120.7	57.2	108.0	203.2	76.2	88.0	4.8
3	80	154.0	69.9	123.8	203.2	103.2	119.2	7.1
4	100	161.9	93.7	130.2	203.2	134.9	155.8	10.1
6	150	238.1	120.7	177.8	330.2	196.9	277.4	21.8