



Type: Wafer, Lugged, Flanged, BW End
Face to Face: API609, BS EN 558, DIN3202, ISO 5752
Flange: BS, UNI, ISO, ANSI
Mounting Flange: ISO5211

Working Pressure: PN6 – PN40 (ANSI 125 – 600)
Application: HVAC, Water Supply & Sewage, Chemical/Petrochemical/Processing, Power and Utilities, Paper and Pulp, Ship Building, Food & Beverage, Pharmaceutical

Mounting Flange

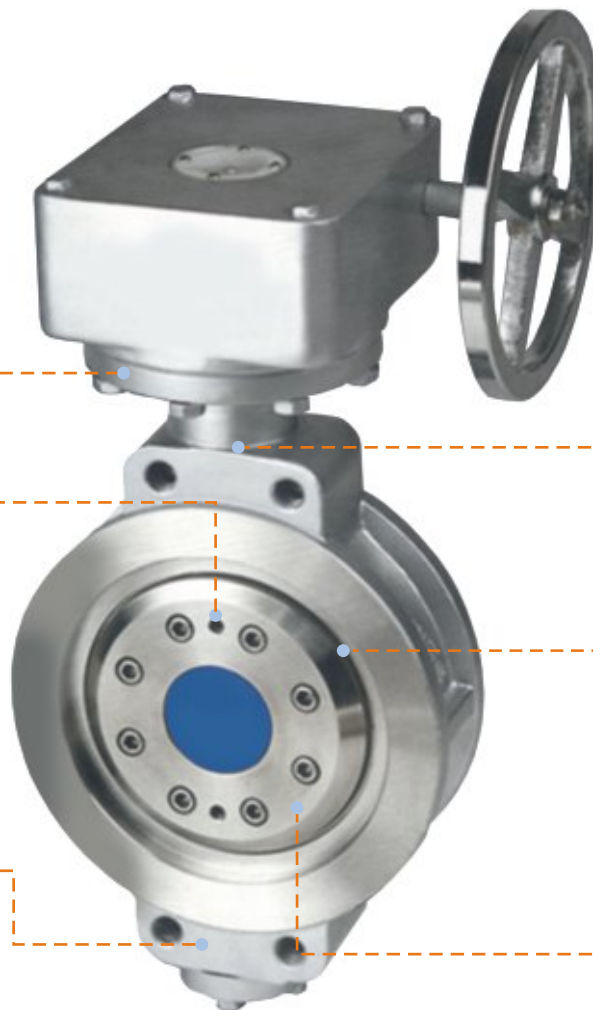
ISO 5211 mounting flange accommodates direct mounting of all types of actuators, including: handles, gear operators, electric and pneumatic.

Disc and Stem Connection

The connection by flat key with locating taper pins between disc and stem ensure positive, vibration proof.

Rigid Body Structure

Available in wafer, lug or double flange connection and various material range.



Bushings

Stem bushings have self-lubrication function to minimize torque easy for operation.

Seal Ring

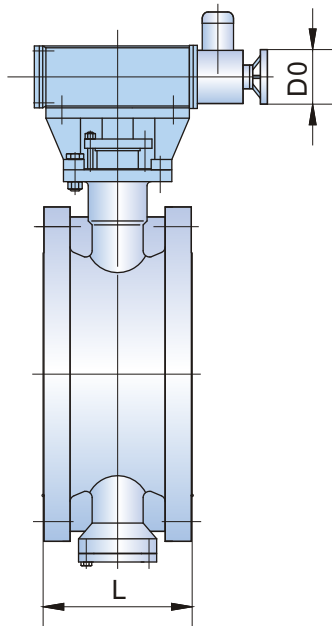
The seal ring is designed with resilient seal or metal seal. Metal seal is graphite plus metal layers providing an elastic tight seal with zero leakage.

Disc

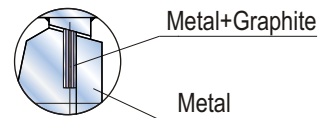
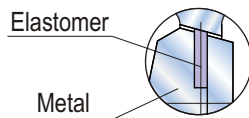
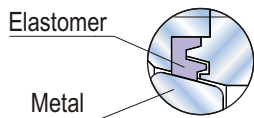
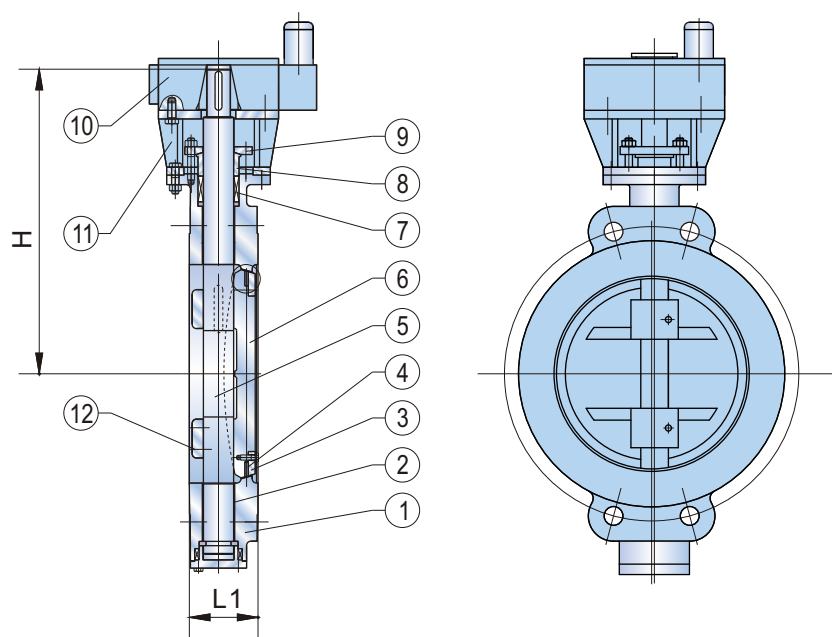
The disc has double or triple eccentric design, the seal surface is used cone and ball shapes for reducing or eliminating the friction between disc and seat during valve closing and opening.



FLANGE TYPE



WAFER/LUG TYPE



RESILIENT SEAL
(Double Eccentric)
Series 910

METAL SEAL
(Triple Eccentric)
Series 920

SERIES 910 STANDARD MATERIALS OF MAIN PARTS

ITEM	PART NAME	MATERIAL
1	Body	WCB(+13Cr), CF8M
2	Bushing	CS+PTFE, 316+PTFE
3	Washer	Carbon Steel
4	Seal Ring	NBR, EPDM, PTFE, Viton
5	Stem	13Cr, 316
6	Plate	WCB, CF8M

ITEM	PART NAME	MATERIAL
7	Packing	Flexible Graphite
8	Gland	13Cr, 316
9	Gland Flange	WCB, CF8M
10	Gear	Cast Iron
11	Yoke	WCB
12	Pin	13Cr, 316

SERIES 920 STANDARD MATERIALS OF MAIN PARTS

ITEM	PART NAME	MATERIAL
1	Body	WCB(+13Cr), CF8M
2	Bushing	CS+PTFE, 316+PTFE
3	Washer	Carbon Steel
4	Seal Ring	316+Graphite, 13Cr
5	Stem	13Cr, 316
6	Plate	WCB, CF8M

ITEM	PART NAME	MATERIAL
7	Packing	Flexible Graphite
8	Gland	13Cr, 316
9	Gland Flange	WCB, CF8M
10	Gear	Cast Iron
11	Yoke	WCB
12	Pin	13Cr, 316