



Type: Wafer, Lugged, U-flanged
Face to Face: API609, BS EN 558, DIN3202, ISO 5752
Flange: DIN, BS, UNI, ISO, ANSI, AS, JIS
Mounting Flange: ISO5211

Working Pressure: DN40 – 300: PN16 (200PSI)
DN350 & above: PN10 (150PSI)
Application: HVAC, Water Supply & Sewage, Chemical/Petrochemical/Processing, Power and Utilities, Paper and Pulp, Ship Building

Weather Seal

Top bushing keeps dust and moisture from entering the upper shaft journal.

Shaft

One-piece through shaft ensures dependability and positive disc positioning.

Bushings (4-5)

Shaft bushings reduce torque and isolate the shaft from the valve body, preventing seizure of the shaft due to corrosion in the shaft journal.

Seat Face

Seat to flange seal eliminates the need for flange gaskets.

Seat

Phenolic-backed seat is non-collapsible, stretch resistant, blow out proof, and field replaceable.

Mounting Flange

ISO 5211 mounting flange accommodates direct mounting of all types of actuators, including: handles, gear operators, electric and pneumatic.

O-Ring (1-2)

Shaft seal provides further assurance against stem leakage.

Flats Seal

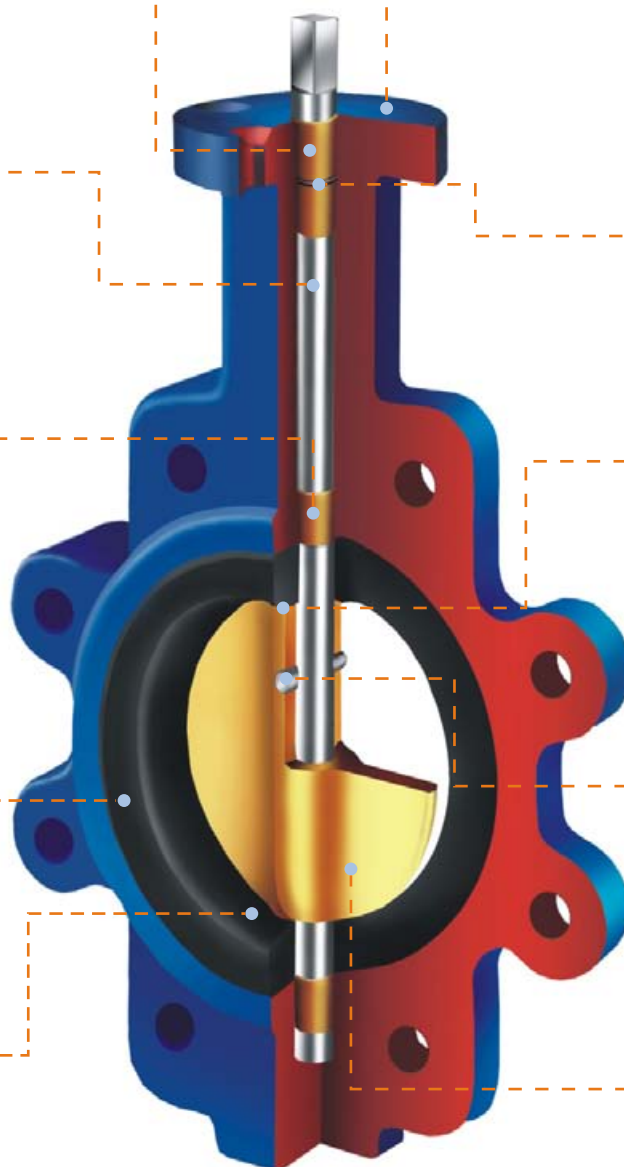
Smooth finished disc flats mate with seat flats to give a highly efficient primary seal that prevents leakage into the shaft area.

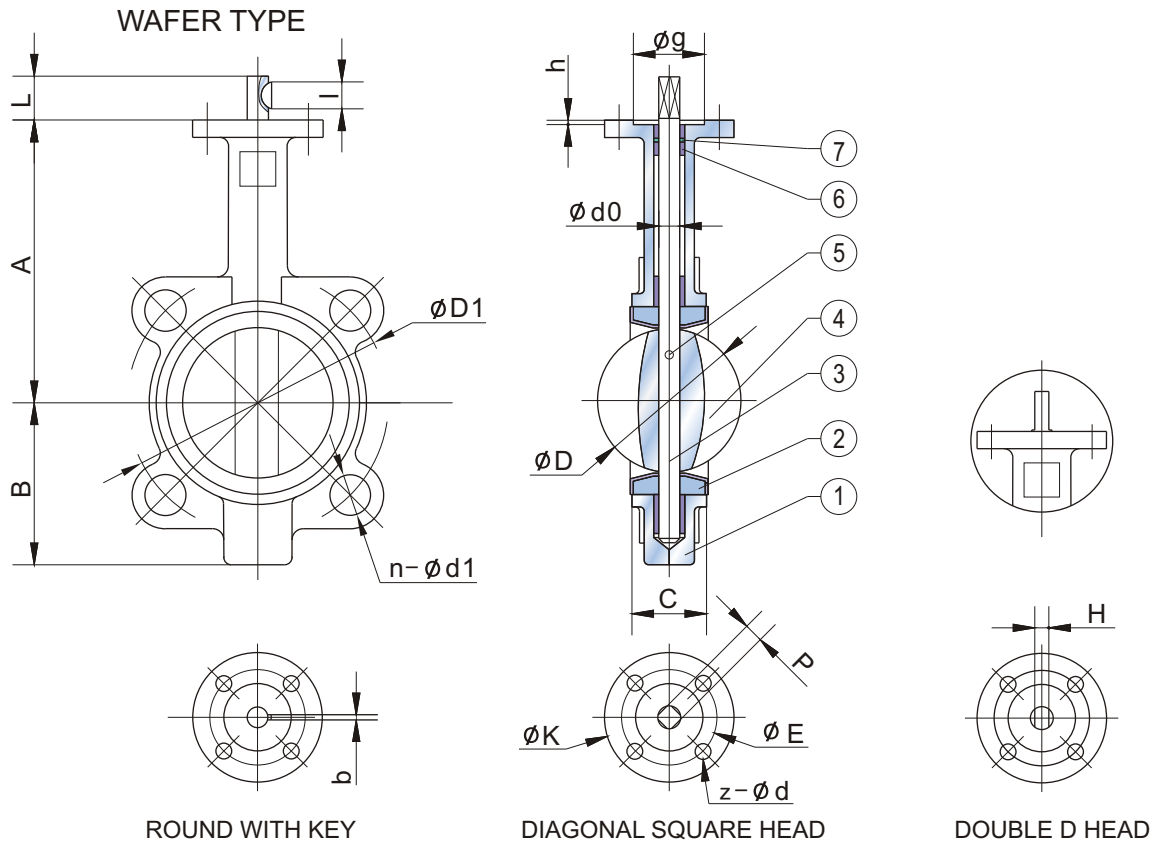
Taper Pin (1-3)

Precision taper pin ensure positive, vibration proof, shaft to disc connection. Field replaceable.

Disc

Precision profile provides bubble-tight shut-off, assures minimum torque and longer seat life.





STANDARD MATERIALS OF MAIN PARTS

ITEM	PART NAME	MATERIAL
1	Body	Cast Iron, Ductile Iron, Carbon Steel, Stainless Steel
2	Seat	NBR, EPDM, Viton, Neoprene, Hypalon, Silicon
3	Shaft	Stainless Steel 410, 316, 17-4PH
4	Disc	Ductile Iron+Ni, CF8, CF8M, Bronze
5	Pin	Stainless Steel
6	Bushing	PTFE, Bronze
7	O Ring	NBR, EPDM

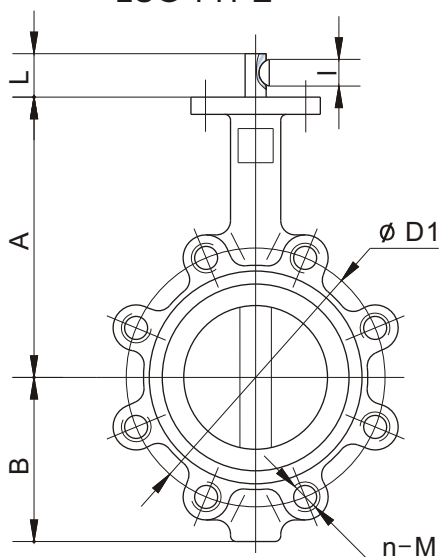
DIMENSIONS AND WEIGHTS

SIZE		A	B	C	D	L	d0	P	H	KEY bXl	UPPER FLANGE					ANSI 150		DIN PN10/16		Weight (kg)
in	DN										K	E	z-d	g	h	D1	n-d1	D1	n-d1	
1-1/2	40	145	75	33	42.4	32	12.6	9	10	3X16	77	50	4-7	35	3	98.5	4-16	110	4-18	2.2
2	50	161	80	42	52.6	32	12.6	9	10	3X16	77	50	4-7	35	3	120.5	4-19	125	4-18	2.5
2-1/2	65	175	89	44.7	64.5	32	12.6	9	10	3X16	77	50	4-7	35	3	139.5	4-19	145	4-18	3.2
3	80	181	95	45.2	78.8	32	12.6	9	10	3X16	77	50	4-7	35	3	152.5	4-19	160	4/8-18	3.6
4	100	200	114	52.1	104	32	15.77	11	12	5X19	90	70	4-9	55	3	190.5	8-19	180	8-18	4.9
5	125	213	127	54.4	123.3	32	18.92	14	14	5X19	90	70	4-9	55	3	216	8-22	210	8-18	7.0
6	150	226	139	55.8	155.6	32	18.92	14	14	5X19	90	70	4-9	55	3	241.5	8-22	240	8-23	7.8
8	200	260	175	60.6	202.5	45	22.1	17	17	5X19	125	102	4-12	70	3.5	298.5	8-22	295	8/12-23	13.2
10	250	292	203	65.6	250.5	45	28.45	22	22	8X28	125	102	4-12	70	3.5	362	12-25	350/355	12-23/27	19.2
12	300	337	242	76.9	301.6	45	31.6	22	24	8X28	140	102	4-12	70	3.5	432	12-25	400/410	12-23/27	32.5
14	350	368	267	76.5	333.3	45	31.6	22	24	8X28	140	102	4-12	70	3.5	476	12-29	460/470	16-23/27	41.3
16	400	400	309	86.5	389.6	51.2	33.15	24	24	10X50	197	140	4-18	100	4	540	16-29	515/525	16-27/30	61
18	450	422	328	105.6	440.5	51.2	38	27	27	10X50	197	140	4-18	100	4	578	16-32	565/585	20-27/30	79
20	500	480	361	131.8	491.6	64.2	41.15	36	32	10X50	197	140	4-18	100	4	635	20-32	620/650	20-27/33	128
24	600	562	459	152	592.5	70.2	50.65	36	36	2-16X60	276	165	4-23	130	5	749.5	20-35	725/770	20-30/36	188
28	700	624	520	163	695	66	63.35	-	-	2-18X63	300	254	8-18	200	5.5	863.5	28-35	840	24-30/36	284
30	750	660	539	165	744.3	66	63.35	-	-	2-18X63	300	254	8-18	200	5.5	914.5	28-35	-	-	328
32	800	672	591	188	794.7	66	63.35	-	-	2-18X63	300	254	8-18	200	5.5	978	28-41	950	24-33/39	368
36	900	720	656	203	864.7	118	75	-	-	2-20X100	300	254	8-18	200	5.5	1086	32-41	1050	28-33/39	713
40	1000	800	721	216	965	142	85	-	-	2-22X125	300	254	8-18	200	5.5	1200	36-41	1160/1170	28-36/42	864

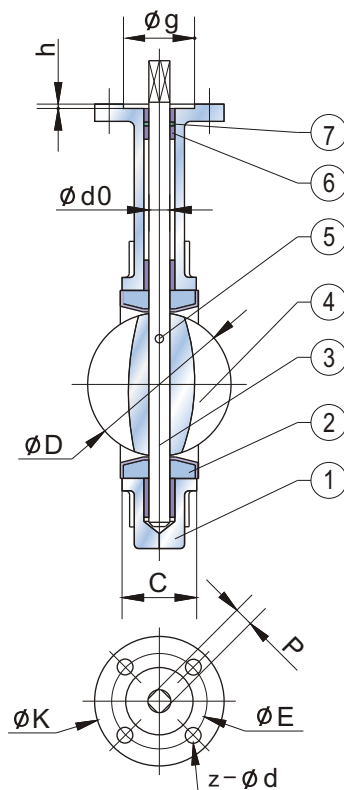
NOTE: 1. 14"- 24" maximum working pressure with 1.6MPa (200PSI) can be supplied as per specified order requirement.
2. The type of key for size 16" & larger is flat.



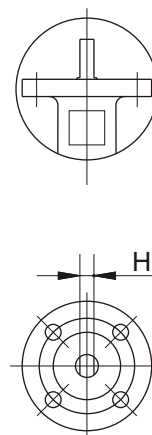
LUG TYPE



ROUND WITH KEY



DIAGONAL SQUARE HEAD



DOUBLE D HEAD

STANDARD MATERIALS OF MAIN PARTS

ITEM	PART NAME	MATERIAL
1	Body	Cast Iron, Ductile Iron, Carbon Steel, Stainless Steel
2	Seat	NBR, EPDM, Viton, Neoprene, Hypalon, Silicon
3	Shaft	Stainless Steel 410, 316, 17-4PH
4	Disc	Ductile Iron+Ni, CF8, CF8M, Bronze
5	Pin	Stainless Steel
6	Bushing	PTFE, Bronze
7	O Ring	NBR, EPDM

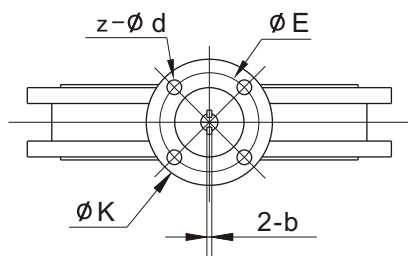
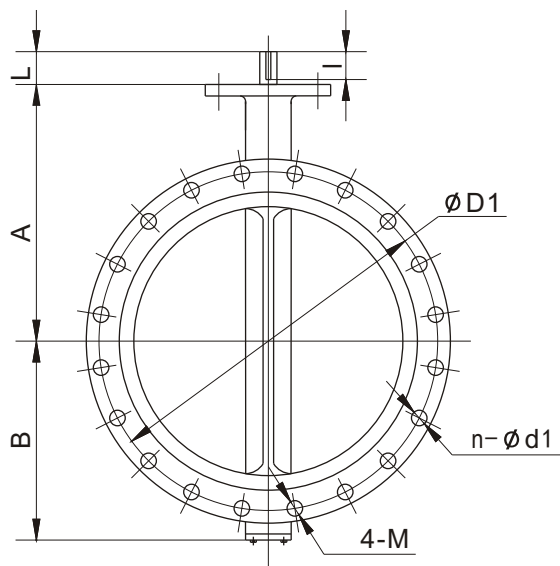
DIMENSIONS AND WEIGHTS

SIZE		A	B	C	D	L	d0	P	H	KEY bXl	UPPER FLANGE					ANSI 150		DIN PN10/16		Weight (kg)
in	DN										K	E	z-d	g	h	D1	n-M	D1	n-M	
1-1/2	40	145	75	33	42.4	32	12.6	9	10	3X16	77	50	4-7	35	3	98.5	4-1/2"	110	4-M16	3.2
2	50	161	80	42	52.6	32	12.6	9	10	3X16	77	50	4-7	35	3	120.5	4-5/8"	125	4-M16	3.8
2-1/2	65	175	89	44.7	64.5	32	12.6	9	10	3X16	77	50	4-7	35	3	139.5	4-5/8"	145	4-M16	4.2
3	80	181	95	45.2	78.8	32	12.6	9	10	3X16	77	50	4-7	35	3	152.5	4-5/8"	160	4/8-M16	4.7
4	100	200	114	52.1	104	32	15.77	11	12	5X19	90	70	4-9	55	3	190.5	8-5/8"	180	8-M16	9.0
5	125	213	127	54.4	123.3	32	18.92	14	14	5X19	90	70	4-9	55	3	216	8-3/4"	210	8-M16	10.9
6	150	226	139	55.8	155.6	32	18.92	14	14	5X19	90	70	4-9	55	3	241.5	8-3/4"	240	8-M20	14.2
8	200	260	175	60.6	202.5	45	22.1	17	17	5X19	125	102	4-12	70	3.5	298.5	8-3/4"	295	8/12-M20	18.2
10	250	292	203	65.6	250.5	45	28.45	22	22	8X28	125	102	4-12	70	3.5	362	12-7/8"	350/355	12-M20/M24	26.8
12	300	337	242	76.9	301.6	45	31.6	22	24	8X28	140	102	4-12	70	3.5	432	12-7/8"	400/410	12-M20/M24	40
14	350	368	267	76.5	333.3	45	31.6	22	24	8X28	140	102	4-12	70	3.5	476	12-1"	460/470	16-M20/M24	56
16	400	400	309	86.5	389.6	51.2	33.15	24	24	10X50	197	140	4-18	100	4	540	16-1"	515/525	16-M24/M27	96
18	450	422	328	105.6	440.5	51.2	38	27	27	10X50	197	140	4-18	100	4	578	16-1 1/8"	565/585	20-M24/M27	122
20	500	480	361	131.8	491.6	64.2	41.15	36	32	10X50	197	140	4-18	100	4	635	20-1 1/8"	620/650	20-M24/M30	202
24	600	562	459	152	592.5	70.2	50.65	36	36	2-16X60	276	165	4-23	130	5	749.5	20-1 1/4"	725/770	20-M27/M33	270

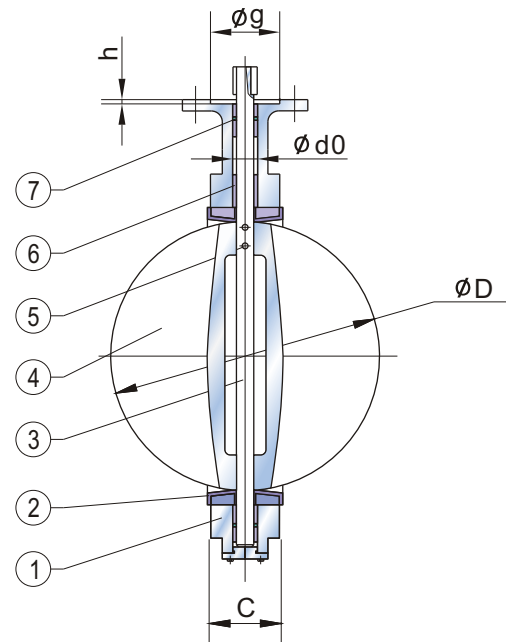
NOTE: 1. 14"-24" maximum working pressure with 1.6MPa (200PSI) can be supplied as per specified order requirement.
 2. The type of key for size 16" & larger is flat.



U TYPE



ROUND WITH KEY



STANDARD MATERIALS OF MAIN PARTS

ITEM	PART NAME	MATERIAL
1	Body	Cast Iron, Ductile Iron, Carbon Steel, Stainless Steel
2	Seat	NBR, EPDM, Viton, Neoprene, Hypalon, Silicon
3	Shaft	Stainless Steel 410, 316, 17-4PH
4	Disc	Ductile Iron+Ni, CF8, CF8M, Bronze
5	Pin	Stainless Steel
6	Bushing	PTFE, Bronze
7	O Ring	NBR, EPDM

DIMENSIONS AND WEIGHTS

SIZE		A	B	C	D	L	d0	KEY	UPPER FLANGE				ANSI 150			DIN PN10/16			Weight (kg)	
in	DN							2-bXl	K	E	z-d	g	h	D1	n-d1	4-M	D1	n-d1		4-M
16	400	400	309	86.5	389.6	51.2	33.15	1-10X50	197	140	4-18	100	4	540	12-29	4-1"	515/525	12-27/30	4-M24/M27	83
18	450	422	328	105.6	440.5	51.2	38	1-10X50	197	140	4-18	100	4	578	12-32	4-1 1/8"	565/585	16-27/30	4-M24/M27	120
20	500	480	361	131.8	491.6	64.2	41.15	1-10X50	197	140	4-18	100	4	635	16-32	4-1 1/8"	620/650	16-27/33	4-M24/M30	170
24	600	562	459	152	592.5	70.2	50.65	2-16X60	276	165	4-23	130	5	749.5	16-35	4-1 1/4"	725/770	16-30/36	4-M27/M33	245
28	700	624	520	163	695	66	63.35	2-18X63	300	254	8-18	200	5.5	863.5	24-35	4-1 1/4"	840	20-30/36	4-M27/M33	406
30	750	660	539	165	744.3	66	63.35	2-18X63	300	254	8-18	200	5.5	914.5	24-35	4-1 1/4"	-	-	-	426
32	800	672	591	188	794.7	66	63.35	2-18X63	300	254	8-18	200	5.5	978	24-41	4-1 1/2"	950	20-33/39	4-M30/M36	566
36	900	720	656	203	864.7	118	75	2-20X100	300	254	8-18	200	5.5	1086	28-41	4-1 1/2"	1050	24-33/39	4-M30/M36	728
40	1000	800	721	216	965	142	85	2-22X125	300	254	8-18	200	5.5	1200	32-41	4-1 1/2"	1160/1170	24-36/42	4-M33/M39	815
42	1050	858	757	251	1030.5	150	95	2-25X125	300	254	8-18	200	5.5	1257.5	32-41	4-1 1/2"	-	-	-	976
44	1100	886	792	251	1068	150	95	2-25X125	300	254	8-18	200	5.5	1314.5	36-41	4-1 1/2"	-	-	-	1272
48	1200	941	844	276	1161.2	150	105	2-28X125	350	298	8-22	230	5.5	1422.5	40-41	4-1 1/2"	1380/1390	28-39/48	4-M36/M45	1529