



Type: Flanged
Face to Face: DIN3202, ISO 5752
Flange: DIN, BS, UNI, ISO, ANSI
Mounting Flange: ISO5211

Working Pressure: DN100 – 600: PN16 (200PSI)
DN700 and above: PN10 (150PSI)
Application: Water Supply & Sewage,
Chemical/Petrochemical/Processing,
Power and Utilities, Paper and Pulp

Mounting Flange

ISO 5211 mounting flange accommodates direct mounting of all types of actuators, including: handles, gear operators, electric and pneumatic.

Bushings

Shaft bushings reduce torque easy for operation.

Disc Seal Ring

Disc seal rings resilient seal with several elastomer compounds to meet different application demands

Disc

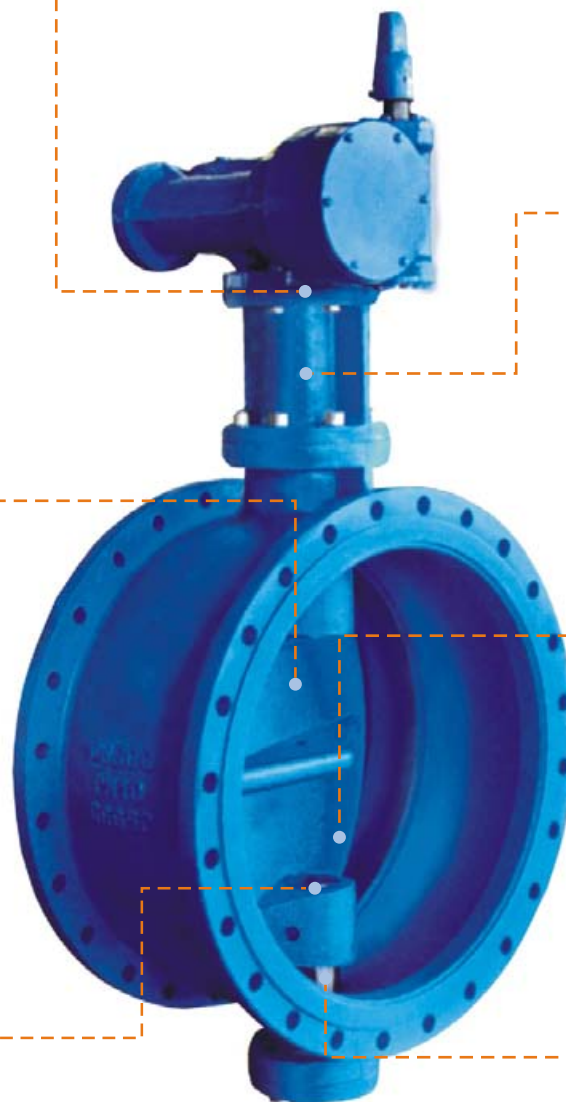
The disc is double eccentric design for reducing the friction between disc and body seat during valve closing and opening.

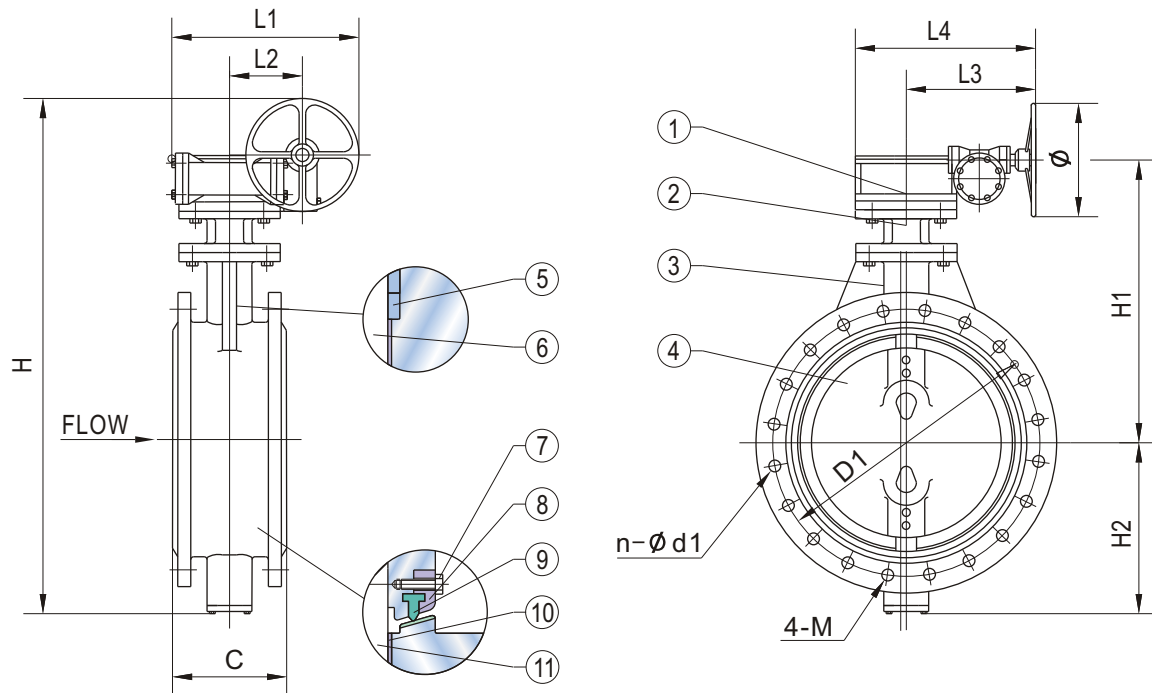
Disc and Stem Connection

The connection by locating taper pins between disc and stem ensure positive, vibration proof.

Two Piece Shaft

The shaft is designed with two pieces type and blow-out by locating taper pins.





STANDARD MATERIALS OF MAIN PARTS

ITEM	PART NAME	MATERIAL
1	Gear	Cast Iron, Ductile Iron
2	Support	Cast Iron, Ductile Iron
3	Body	Cast Iron / Ductile Iron SS 304 Faced
4	Disc	Ductile Iron
5	Packing	NBR
6	Upper Shaft	13Cr
7	Bolt	Carbon Steel
8	Retainer	Carbon Steel
9	Disc Seal Ring	NBR, EPDM
10	Bushing	Carbon Steel + PTFE, Brass
11	Lower Shaft	13Cr

DIMENSIONS AND WEIGHTS

SIZE		H	H1	H2	C		L1	L2	L3	L4	Ø	DIN PN10/16			Weight (kg)		
in	DN				SHORT	LONG						D1	SHORT (PN10)		LONG	SHORT	LONG
													n-d1	4-M			
4	100	446	234	122	-	190	202	48	121	180	180	180	-	-	8-18	-	25
6	150	521.5	279	153	-	210	222	58	128	194	180	240	-	-	8-23	-	37
8	200	690	349	216	89	230	275	70	163	241	250	295	4-23	4-M20	8/12-23	53	63
10	250	782	398	209	114	250	368	95	193	291	350	350/355	8-23	4-M20	12-23/27	81	94
12	300	980	556	277	114	270	449	178	358	473	300	400/410	8-23	4-M20	12-23/27	128	148
14	350	1048	586	315	127	290	449	178	358	473	300	460/470	12-23	4-M20	16-23/27	156	188
16	400	1138	653	335	140	310	486	196	384	528	300	515/525	12-27	4-M24	16-27/30	205	237
18	450	1202	672	380	152	330	486	196	384	528	300	565/585	16-27	4-M24	20-27/30	228	268
20	500	1421	793	428	152	350	627	244	407	596	400	620/650	16-27	4-M24	20-27/33	242	289
24	600	1488	808	480	178	390	627	244	407	596	400	725/770	16-30	4-M27	20-30/36	414	480
28	700	1889	1058	681	229	430	635	370	591	711	300	840	20-30	4-M27	24-30/36	522	615
32	800	2032	1133	749	241	470	635	370	591	711	300	950	20-33	4-M30	24-33/39	689	818
36	900	2258	1266	842	241	510	955	455	591	807	300	1050	24-33	4-M30	28-33/39	804	956
40	1000	2325	1286	889	300	550	955	455	591	807	300	1160/1170	24-36	4-M33	28-36/42	1177	1277
48	1200	2796	1568	978	350	630	1190	680	801	1089	300	1380/1390	28-39	4-M36	32-39/48	1508	1764
56	1400	2996	1668	1078	390	710	1270	598	801	1089	500	1590	32-42	4-M39	36-42/48	1963	2560
64	1600	3246	1778	1218	440	790	1270	598	801	1089	500	1820	36-48	4-M45	40-48/56	2965	4953

NOTE: C SHORT is conform with ISO 5752 16 Series, DIN 3202 K3 Series, C LONG is conform with ISO 5752 14 Series, DIN 3202 F4 Series.