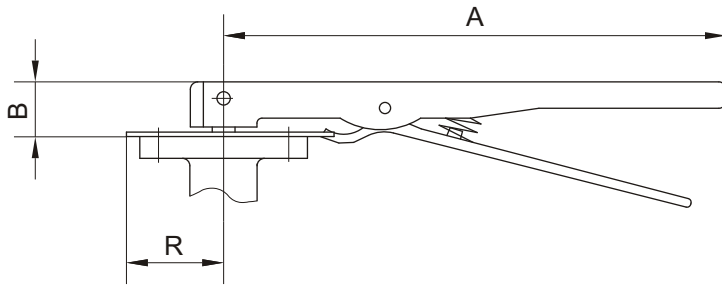


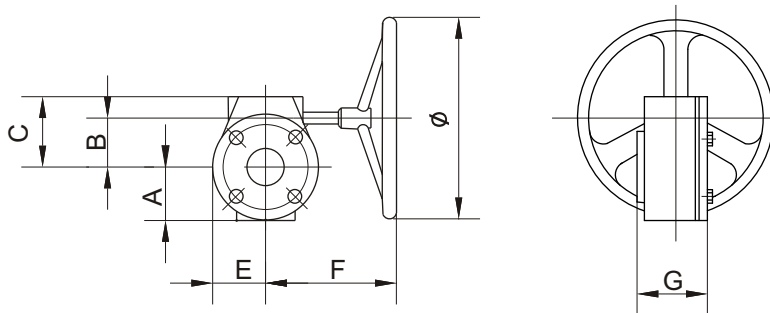


Overall Dimensions & Weight of Lever



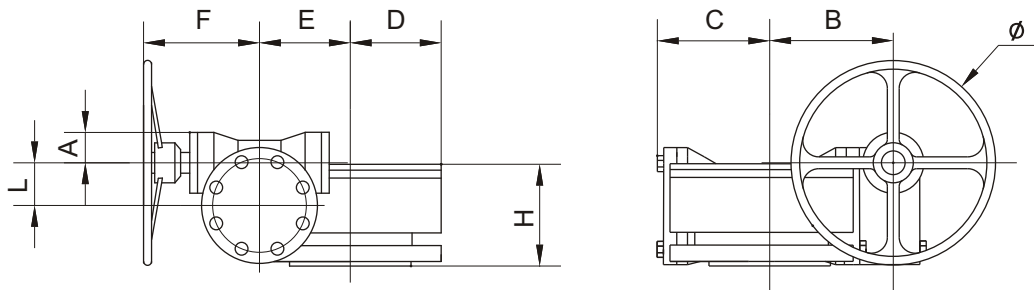
SIZE	A	B	R	Weight kg
2"-6"	270	32	52	0.9
8"	360	45	75.2	1.95
10"-12"	500	45	75.2	2.65

Overall Dimensions & Weight of Worm Gear Actuator



TYPE	RATED OUTPUT N.m	MAXIMUM OUTPUT N.m	RATIO	BUTTERFLY VALVE SIZE	A	B	C	E	F	G	Ø	Weight kg
3Dc-15	150	270	24:1	2"-6"	52	45	74	52	152.5	75	150	5.2
3Dc-50	500	700	30:1	8"-10"	75	62.75	101	75	250	86	300	13
3Dc-120	1000	1200	50:1	12"-14"	81	80	118	81	227	83	300	15

Overall Dimensions & Weight of Double-Stage Worm Gear Actuator



TYPE	RATED OUTPUT N.m	MAXIMUM OUTPUT N.m	RATIO	BUTTERFLY VALVE SIZE	A	B	C	D	E	F	H	L	Ø	Weight kg
3DA-30/250	2500	3000	560:1	16"- 20"	56.5	178.5	121	115	104	174	125.5	66	300	56.9
3DA-30/400	4000	5200	640:1	24"	56.5	197.5	142	144	130	174	145.5	66	300	72.37
3DA-60/800	8000	8500	704:1	28"- 32"	67	244	183	189	162	165	157	88	400	127
3DA-120/1500	15000	18000	704:1	36"- 44"	76	270	215	220	196	215	235	126	300	158
3DA-120/2500	25000	28000	800:1	48"	76	313	250	220	236	220	243	126	450	235

NOTE: BUTTERFLY VALVE SIZE is referred with Series 100,200,300,400 only.