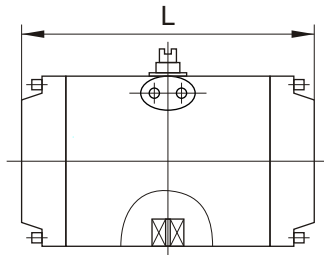
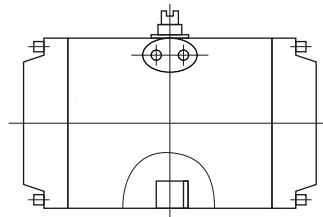




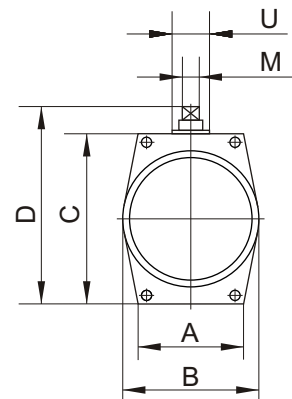
63000RA Series Double Acting Construction



Dual Square Hole



Two Keys Joint

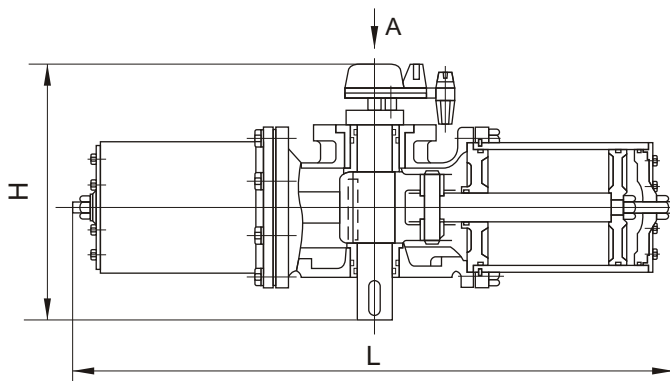


Overall Dimensions & Weight of Pneumatic Actuator

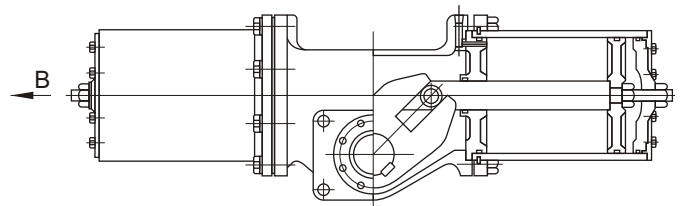
Type	Output Torque N.m				Butterfly Valve Size		Air Supply Hole	A	B	C	D	M	U	L	Weight (kg)
	Air Supply Pressure kPaG				PN10/150PSI	PN16									
	300	400	500	600											
63063RA-W	17	23	29	34	1 1/2"-2 1/2"	1 1/2"-2 1/2"	RC 1/8	60	72	88	108	12	21	140	1.5
63083RA-W	42	56	70	84	3"-4"	3"-4"	RC 1/8	68	91	110	140	14	26	184	3.0
630110RA-W	95	126	158	189	5"-6"	5"-6"	RC 1/4	90	120	140	170	28	49	296	6.5
630143RA-W	235	314	392	471	8"	8"	RC 1/4	110	160	180	210	28	49	337	13.5
630160RA-W	330	440	550	660	10"	10"	RC 1/4	122	185	200	230	36	60	380	20
630200RA-W	640	855	1070	1285	12"-14"	12"	RC 1/4	135	225	245	275	47	70	490	40
630235RA-W	1200	1600	2000	2400	16"-18"	14"-16"	RC 1/4	160	265	300	330	47	80	622	75
630280RA-W	1850	2500	3100	3700	20"-24"	18"-20"	RC 3/8	160	360	340	370	50	80	655	90
630280RF-W	3700	5000	6200	7400	28"	24"	RC 3/8	160	360	340	370	50	80	955	143

NOTE: 1. These listed actuators are suitable for concentric butterfly valves.
2. The ambient temperature of standard actuators: -20°C ~ +80°C.

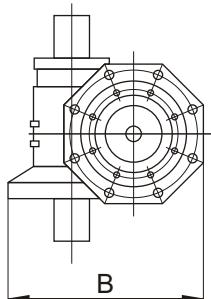
QZ Series Acting Construction



View A



View B



Overall Dimensions & Weight of Pneumatic Actuator

Type	Output Torque N.m	Butterfly Valve Size PN10/150PSI	Air Supply Hole	L	B	H	Weight (kg)
	Air Supply Pressure 500 kPaG						
QZ800	8000	32"	RC 1/2	1402	700	560	340
QZ1000	10000	36"	RC 1/2	1402	700	560	380
QZ1500	15000	40"-42"	RC 1/2	1690	1000	620	520
QZ2500	25000	44"-48"	RC 3/4	2250	1170	845	800

NOTE: 1. These listed actuators are suitable for concentric butterfly valves.
2. The ambient temperature of standard actuators: -20°C ~ +60°C.