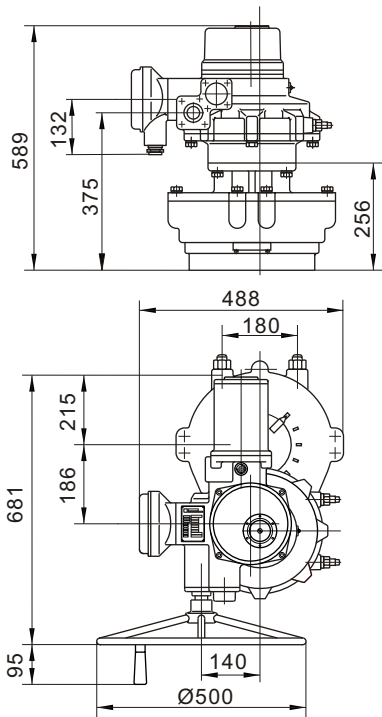
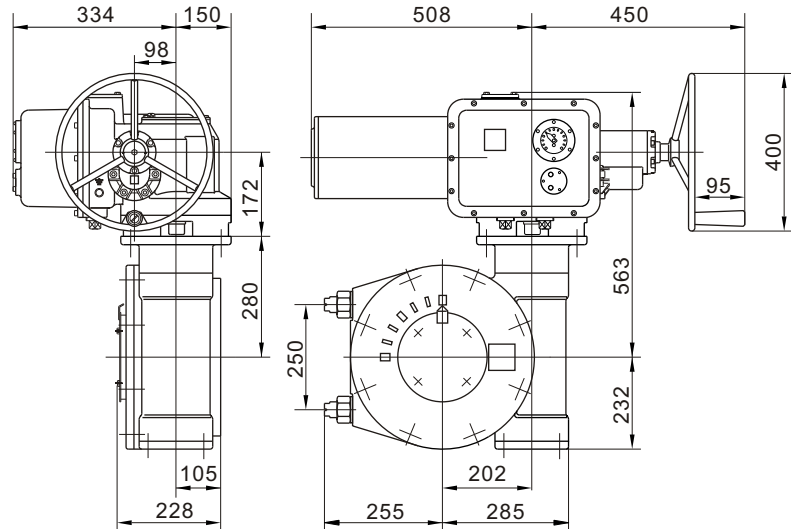


Type 802. 1000-0. 2



Type 9034/4027



Overall Dimensions & Weight of Electric Actuator

Type	Output Torque N.m	Running Time sec/90°	Manual Gear Ratio	Butterfly Valve Size		A	B	C	D	F	E	G	H	J	K	M	N	P	Q	R	Weight (kg)
				PN10/150PSI	PN16																
802.10-1	100	15	88:1	1 1/2"-4"	1 1/2"-4"	250	436	79	300	269	156	213	110	82	62	22	0	0	70	39	36
802.20-1	200	15	88:1	5"-6"	5"-6"	250	436	79	300	269	156	213	110	82	62	22	0	0	70	39	36
802.30-1	300	15	88:1	8"	8"	250	436	79	300	269	156	213	110	82	62	22	0	0	70	39	36
802.60-1	600	15	74:1	10"-12"	10"	287	554	110	400	330	196	254	156	111	86	28	20	15	110	49	56
802.120-1	1200	15	74:1	14"	12"-14"	287	554	110	400	330	196	254	156	111	86	28	20	15	110	49	56
802.150-0.5	1500	30	74:1	16"-18"	16"	287	554	110	400	330	196	254	156	111	86	28	20	15	110	49	56
802.250-1	2500	15	67:1	20"	18"	330	660	140	500	392	230	288	185	152	120	45	22.5	20	150	90	100
802.500-0.5	5000	30	67:1	24"	20"-24"	330	660	140	500	392	230	288	185	152	120	45	22.5	20	150	90	100
802.1000-0.2	10000	75	194:1	28"-36"	-	The dimensions refer to outline sketch															203
9034/4027	20000	35	47:1	40"-48"	-	The dimensions refer to outline sketch															258

NOTE: 1. These listed actuators are suitable for concentric butterfly valves.

2. The power supply of standard actuators: 380V/50Hz/3ph AC. The ambient temperature of standard actuators: -20°C ~ +70°C.

3. The actuator enclosure can ensure IP65, if need IP67, IP68 enclosure can be provided.

4. The running time value 47 sec/90° of type 9034/4027 depend on output speed 18 r/min. 24 r/min is also standard output speed, corresponding running time value 35 sec/90°.