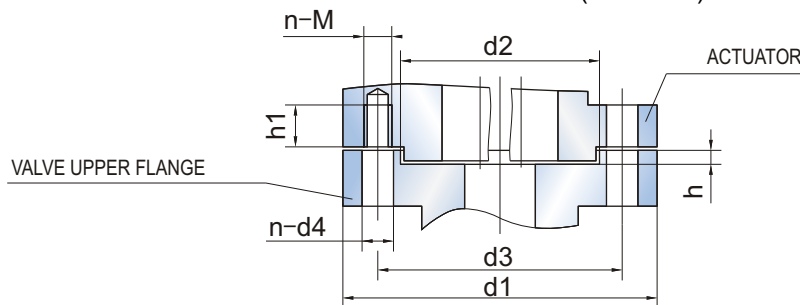


END FLANGE DIMENSIONS

SIZE		ANSI 125/150				DIN PN10/16				BS PN10/16				AS 2129 D/E				JIS 10K			
in	DN	D	D1	n-d1	BOLT	D	D1	n-d1	BOLT	D	D1	n-d1	BOLT	D	D1	n-d1	BOLT	D	D1	n-d1	BOLT
1-1/2	40	127	98.5	4-16	1/2"	150	110	4-18	M16	150	110	4-18	M16	133	98	4-14	M12	140	105	4-19	M16
2	50	152	120.5	4-19	5/8"	165	125	4-18	M16	165	125	4-18	M16	152	114	4-18	M16	155	120	4-19	M16
2-1/2	65	178	139.5	4-19	5/8"	185	145	4-18	M16	185	145	4-18	M16	165	127	4-18	M16	175	140	4-19	M16
3	80	190	152.5	4-19	5/8"	200	160	4-18	M16	200	160	8-18	M16	184	146	4-18	M16	185	150	8-19	M16
4	100	229	190.5	8-19	5/8"	220	180	8-18	M16	220	180	8-18	M16	216	178	4-18	M16	210	175	8-19	M16
5	125	216	216	8-22	3/4"	250	210	8-18	M16	250	210	8-18	M16	254	210	8-18	M16	250	210	8-23	M20
6	150	279	241.5	8-22	3/4"	285	240	8-23	M20	285	240	8-23	M20	279	235	8-18/22	M16/M20	280	240	8-23	M20
8	200	343	298.5	8-22	3/4"	340	295	8/12-23	M20	340	295	8/12-23	M20	337	292	8-18/22	M16/M20	330	290	12-23	M20
10	250	406	362	12-25	7/8"	395/405	350/355	12-23/27	M20/M24	395/405	350/355	12-23/27	M20/M24	406	356	8/12-22	M20	400	355	12-25	M22
12	300	483	432	12-25	7/8"	445/460	400/410	12-23/27	M20/M24	445/460	400/410	12-23/27	M20/M24	457	406	12-22/26	M20/M24	445	400	16-25	M22
14	350	533	476	12-29	1"	505/520	460/470	16-23/27	M20/M24	505/520	460/470	16-23/27	M20/M24	527	470	12-26	M24	490	445	16-25	M22
16	400	597	540	16-29	1"	565/580	515/525	16-27/30	M24/M27	565/580	515/525	16-27/30	M24/M27	578	521	12-26	M24	560	510	16-27	M24
18	450	635	578	16-32	1-1/8"	615/640	565/585	20-27/30	M24/M27	615/640	565/585	20-27/30	M24/M27	640	584	12/16-26	M24	620	565	20-27	M24
20	500	699	635	20-32	1-1/8"	670/715	620/650	20-27/33	M24/M30	670/715	620/650	20-27/33	M24/M30	705	641	16-26	M24	675	620	20-27	M24
24	600	813	749.5	20-35	1-1/4"	780/840	725/770	20-30/36	M27/M33	780/840	725/770	20-30/36	M27/M33	825	756	16-33	M30	795	730	24-33	M30
28	700	927	863.5	28-35	1-1/4"	895/910	840	24-30/36	M27/M33	895/910	840	24-30/36	M27/M33	910	845	20-33	M30	905	840	24-33	M30
30	750	984	914.5	28-35	1-1/4"	-	-	-	-	-	-	-	-	995	927	20-36	M33	970	900	24-33	M30
32	800	1060	978	28-41	1-1/2"	1015/1025	950	24-33/39	M30/M36	1015/1025	950	24-33/39	M30/M36	1060	984	20-36	M33	1020	950	28-33	M30
36	900	1168	1086	32-41	1-1/2"	1115/1125	1050	28-33/39	M30/M36	1115/1125	1050	28-33/39	M30/M36	1175	1092	24-36	M33	1120	1050	28-33	M30
40	1000	1289	1200	36-41	1-1/2"	1230/1255	1160/1170	28-36/42	M33/M39	1230/1255	1160/1170	28-36/42	M33/M39	1255	1175	24-39	M36	1235	1160	28-39	M36
42	1050	1346	1257.5	36-41	1-1/2"	-	-	-	-	-	-	-	-	-	-	-	-	-	-	-	-
48	1200	1511	1422.5	44-41	1-1/2"	1455/1485	1380/1390	32-39/48	M36/M45	1455/1485	1380/1390	32-39/48	M36/M45	1490	1410	32-39	M36	1465	1380	32-39	M36

UPPER FLANGE (ISO 5211)



UPPER FLANGE DIMENSIONS

SIZE		ISO 5211	VALVE UPPER FLANGE DIMENSION					ACTUATOR	
in	mm		d1	d2	d3	n-d4	h	h1min	n-M
1 1/2-3	40-80	F05	77	35	50	4-7	3	9	4-M6
4-6	100-150	F07	90	55	70	4-9	3	12	4-M8
8-10	200-250	F10	125	70	102	4-12	3.5	15	4-M10
12-14	300-350	F10	140	70	102	4-12	3.5	15	4-M10
16-20	400-500	F14	197	100	140	4-18	5	24	4-M16
24	600	F16	276	130	165	4-23	5	30	4-M20
28-44	700-1100	F25	300	200	254	8-18	5.5	24	8-M16
48	1200	F30	350	230	298	8-23	5.5	30	8-M20

NOTE: UPPER FLANGE is referred with Series 100, 200, 300, 400 only.