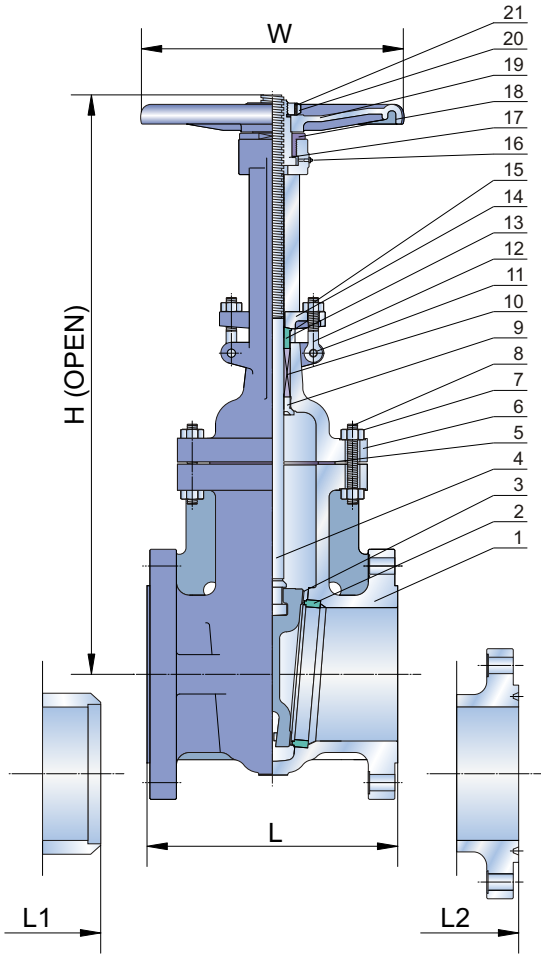




Figure No. GA1RCB8
GA1BCB8
GA1JCB8



FEATURES

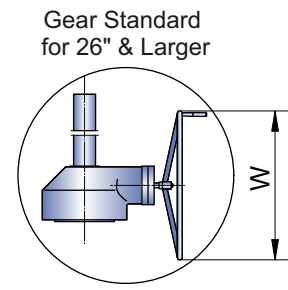
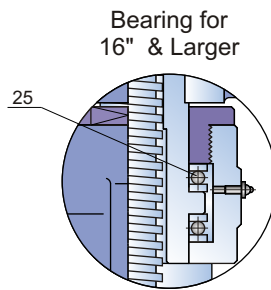
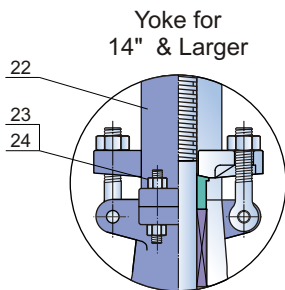
OS & Y, Rising Stem
Bolted Bonnet
Flexible Wedge (2" Solid)
Extended Bonnet for Cryogenic Services
By Pass On Request
Locking Device Optional

SPECIFICATIONS

Design	ASME B16.34/API 600
Face to Face	ASME B16.10
End to End	ASME B16.10
End Flange	ASME B16.5/B16.47
BW End	ASME B16.25
Test	API 598
Special	NACE MR-01-75

STANDARD MATERIALS OF PARTS

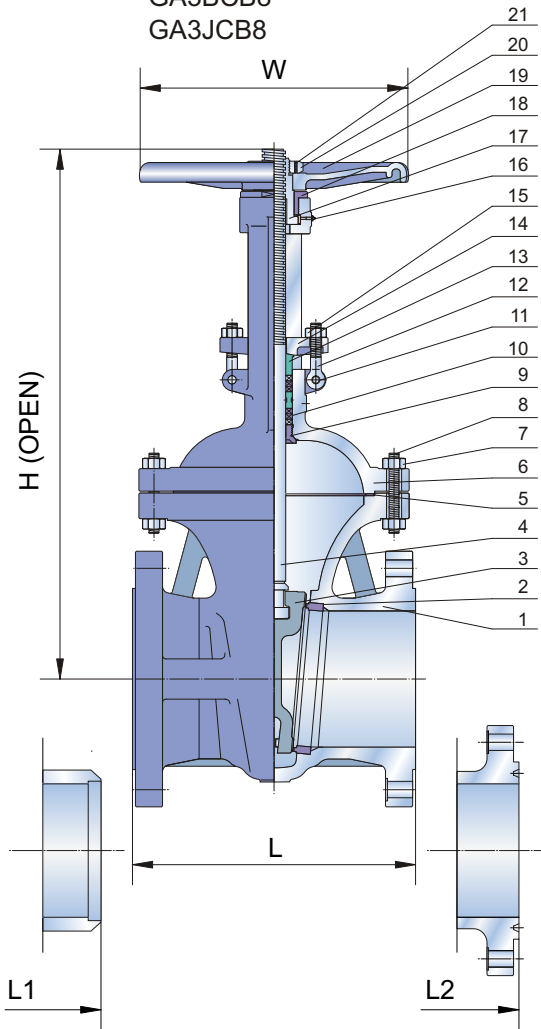
ITEM	PART NAME	MATERIAL
1	Body	ASTM A216 GR.WCB
2	Seat Ring	ASTM A105+Stellite Faced
3	Disc	ASTM A216 GR.WCB+13Cr Faced
4	Stem	ASTM A182 GR.F6
5	Gasket	Soft Iron+Graphite
6	Bonnet	ASTM A216 GR.WCB
7	Bonnet Bolt Nuts	ASTM A194 GR.2H
8	Bonnet Bolts	ASTM A193 GR.B7
9	Backseat Bushing	ASTM A276 Type 410
10	Stem Packing	Braided Graphite & Die formed Graphite Ring
11	Eye Bolt Pins	Carbon Steel
12	Gland Eye Bolts	ASTM A307 GR.B
13	Gland	ASTM A276 Type 410
14	Gland Flange	ASTM A216 GR.WCB
15	Eye Bolt Nuts	ASTM A194 GR.2H
16	Grease Nipple	Carbon Steel
17	Stem Nut	ASTM A439 GR.D-2
18	Retaining Nut	Carbon Steel
19	Handwheel	Ductile Iron
20	Handwheel Nut	Carbon Steel
21	Screw	Carbon Steel
22	Yoke	ASTM A216 GR.WCB
23	Yoke Pan Bolt Nuts	ASTM A194 GR.2H
24	Yoke Pan Bolts	ASTM A193 GR.B7
25	Bearing	Steel



Dimensions and Weights		2"	2.5"	3"	4"	6"	8"	10"	12"	14"	16"	18"	20"	24"	26"	28"	30"	32"	36"	40"	42"	48"
SIZE	in	50	65	80	100	150	200	250	300	350	400	450	500	600	650	700	750	800	900	1000	1050	1200
	mm	178	191	203	229	267	292	330	356	381	406	432	457	508	559	610	610	711	711	762	787	864
L	in	7.00	7.50	8.00	9.00	10.50	11.50	13.00	14.00	15.00	16.00	17.00	18.00	20.00	22.00	24.00	24.00	28.00	28.00	30.00	31.00	34.00
	mm	178	191	203	229	267	292	330	356	381	406	432	457	508	559	610	610	711	711	762	787	864
L1	in	8.50	9.50	11.12	12.00	15.88	16.50	18.00	19.75	22.50	24.00	26.00	28.00	32.00	34.00	36.00	36.00	38.00	40.00	42.00	43.00	46.00
	mm	216	241	283	305	403	419	457	502	572	610	660	711	813	864	914	914	965	1016	1067	1092	1168
L2	in	7.50	8.00	8.50	9.50	11.00	12.00	13.50	14.50	15.50	16.50	17.50	18.50	20.50	—	—	—	—	—	—	—	—
	mm	191	203	216	241	279	305	343	368	394	419	445	470	521	—	—	—	—	—	—	—	—
H	in	15.31	17.28	19.69	23.43	30.59	38.39	45.67	54.72	61.22	71.30	82.80	90.55	102.72	109.45	130.98	141.97	145.98	154.49	168.50	175.39	193.31
	mm	389	439	500	595	777	975	1160	1390	1555	1811	2103	2300	2609	2780	3327	3606	3708	3924	4280	4455	4910
W	in	8	8	10	10	14	14	16	18	22	24	25	27	30	24	24	24	24	24	24	32	32
	mm	200	200	250	250	350	350	400	450	560	600	640	680	760	610	610	610	610	610	610	810	810
Weight RF	kg	17	23	29	47	80	129	192	287	410	571	720	1170	1466	1699	1931	2380	2490	3600	4580	4710	6500



Figure No. GA3RCB8
GA3BCB8
GA3JCB8



FEATURES

OS & Y, Rising Stem
Bolted Bonnet
Flexible Wedge (2" Solid)
Extended Bonnet for Cryogenic Services
By Pass On Request
Locking Device Optional

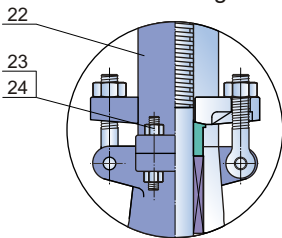
SPECIFICATIONS

Design	ASME B16.34/API 600
Face to Face	ASME B16.10
End to End	ASME B16.10
End Flange	ASME B16.5/B16.47
BW End	ASME B16.25
Test	API 598
Special	NACE MR-01-75

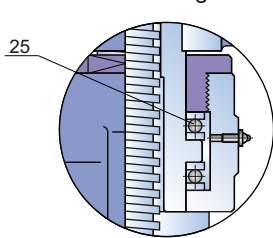
STANDARD MATERIALS OF PARTS

ITEM	PART NAME	MATERIAL
1	Body	ASTM A216 GR.WCB
2	Seat Ring	ASTM A105 + Stellite Faced
3	Disc	ASTM A216 GR.WCB+13Cr Faced
4	Stem	ASTM A182 GR.F6
5	Gasket	Soft Iron+Graphite
6	Bonnet	ASTM A216 GR.WCB
7	Bonnet Bolt Nuts	ASTM A194 GR.2H
8	Bonnet Bolts	ASTM A193 GR.B7
9	Backseat Bushing	ASTM A276 Type 410
10	Stem Packing	Braided Graphite & Die formed Graphite Ring
11	Eye Bolt Pins	Carbon Steel
12	Gland Eye Bolts	ASTM A307 GR.B
13	Gland	ASTM A276 Type 410
14	Gland Flange	ASTM A216 GR.WCB
15	Eye Bolt Nuts	ASTM A194 GR.2H
16	Grease Nipple	Carbon Steel
17	Stem Nut	ASTM A439 GR.D-2
18	Retaining Nut	Carbon Steel
19	Handwheel	Ductile Iron
20	Handwheel Nut	Carbon Steel
21	Screw	Carbon Steel
22	Yoke	ASTM A216 GR.WCB
23	Yoke Pan Bolt Nuts	ASTM A194 GR.2H
24	Yoke Pan Bolts	ASTM A193 GR.B7
25	Bearing	Steel
26	Lantern Ring On Request	ASTM A276 Type 410

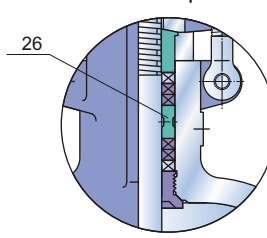
Yoke for 12" & Larger



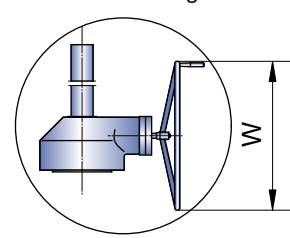
Bearing for 10" & Larger



Lantern Ring On Request



Gear Standard for 18" & Larger



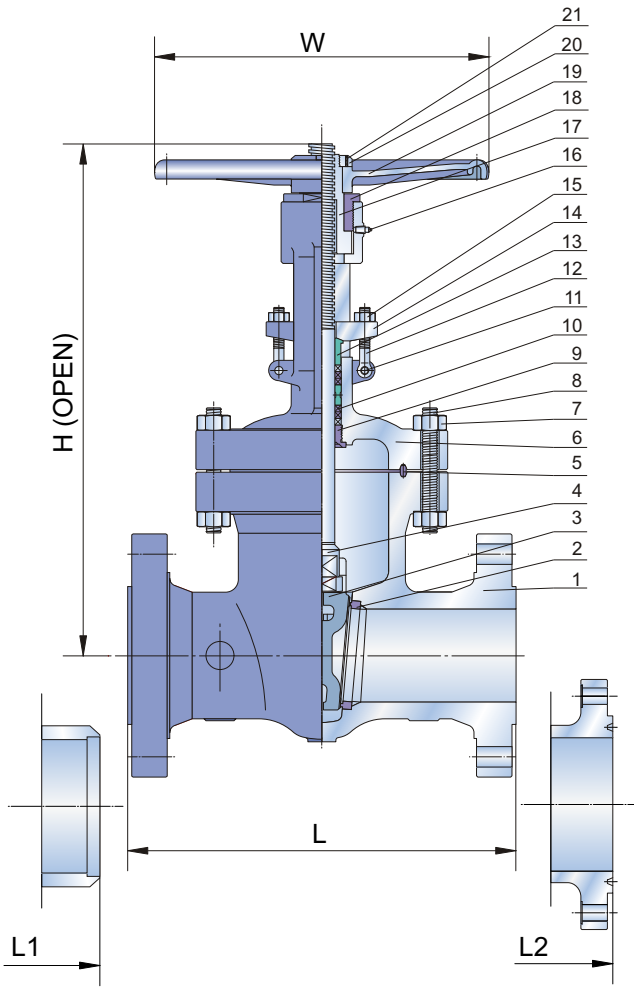
Dimensions and Weights																			
SIZE	in	2"	2.5"	3"	4"	6"	8"	10"	12"	14"	16"	18"	20"	24"	26"	28"	30"	32"	36"
L/L1	in	8.50	9.50	11.12	12.00	15.88	16.50	18.00	19.75	30.00	33.00	36.00	39.00	45.00	49.00	53.00	55.00	60.00	68.00
	mm	216	241	283	305	403	419	457	502	762	838	914	991	1143	1245	1346	1397	1524	1727
L2	in	9.12	10.12	11.74	12.62	16.50	17.12	18.62	20.37	30.62	33.62	36.62	39.75	45.88	50.00	54.00	56.00	61.12	69.12
	mm	232	257	298	321	419	435	473	517	778	854	930	1010	1165	1270	1372	1422	1552	1756
H	in	16.93	19.88	20.87	24.80	31.50	39.69	48.82	57.87	64.76	72.48	77.13	86.38	102.28	110.24	122.05	130.71	140.16	153.94
	mm	430	505	530	630	800	1008	1240	1470	1645	1841	1959	2194	2598	2800	3100	3320	3560	3910
W	in	8	10	10	10	14	16	18	20	24	24	24	24	24	24	24	32	32	32
	mm	200	250	250	250	350	400	450	500	600	600	610	610	610	610	610	810	810	810
Weight RF	kg	30	45	57	88	147	219	368	522	694	1080	1235	1655	2320	3100	3893	4930	5230	6885



Cast Steel Gate Valve

Class 600

Figure No. GA6RCB8
GA6BCB8
GA6JCB8



FEATURES

OS & Y, Rising Stem
Bolted Bonnet
Flexible Wedge (2" Solid)
Extended Bonnet for Cryogenic Services
By Pass On Request
Locking Device Optional

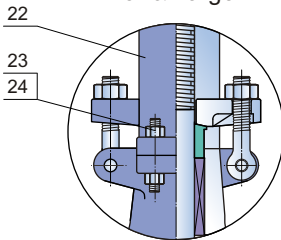
SPECIFICATIONS

Design	ASME B16.34/API 600
Face to Face	ASME B16.10
End to End	ASME B16.10
End Flange	ASME B16.5
BW End	ASME B16.25
Test	API 598
Special	NACE MR-01-75

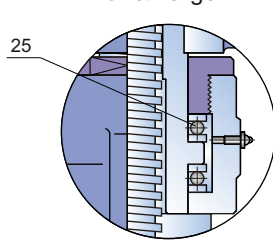
STANDARD MATERIALS OF PARTS

ITEM	PART NAME	MATERIAL
1	Body	ASTM A216 GR.WCB
2	Seat Ring	ASTM A105 + Stellite Faced
3	Disc	ASTM A216 GR.WCB+13Cr Faced
4	Stem	ASTM A182 GR.F6
5	Gasket, Ring Joint	Soft Iron
6	Bonnet	ASTM A216 GR.WCB
7	Bonnet Bolt Nuts	ASTM A194 GR.2H
8	Bonnet Bolts	ASTM A193 GR.B7
9	Backseat Bushing	ASTM A276 Type 410
10	Stem Packing	Braided Graphite & Die formed Graphite Ring
11	Eye Bolt Pins	Carbon Steel
12	Gland Eye Bolts	ASTM A307 GR.B
13	Gland	ASTM A276 Type 410
14	Gland Flange	ASTM A216 GR.WCB
15	Eye Bolt Nuts	ASTM A194 GR.2H
16	Grease Nipple	Carbon Steel
17	Stem Nut	ASTM A439 GR.D-2
18	Retaining Nut	Carbon Steel
19	Handwheel	Ductile Iron
20	Handwheel Nut	Carbon Steel
21	Screw	Carbon Steel
22	Yoke	ASTM A216 GR.WCB
23	Yoke Pan Bolt Nuts	ASTM A194 GR.2H
24	Yoke Pan Bolts	ASTM A193 GR.B7
25	Bearing	Steel
26	Lantern Ring On Request	ASTM A276 Type 410

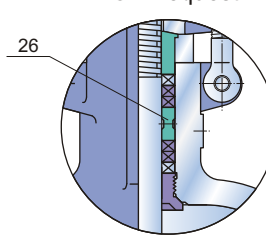
Yoke for 8" & Larger



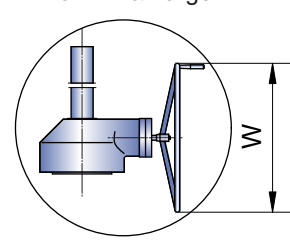
Bearing for 6" & Larger



Lantern Ring On Request



Gear Standard for 14" & Larger



Dimensions and Weights

SIZE	in	2"	2.5"	3"	4"	6"	8"	10"	12"	14"	16"	18"	20"	24"
L/L1	in	11.50	13.00	14.00	17.00	22.00	26.00	31.00	33.00	35.00	39.00	43.00	47.00	55.00
	mm	292	330	356	432	559	660	787	838	889	991	1092	1194	1397
L2	in	11.62	13.12	14.12	17.12	22.12	26.12	31.12	33.12	35.12	39.12	43.12	47.25	55.38
	mm	295	333	359	435	562	663	790	841	892	994	1095	1200	1407
H	in	17.91	23.14	21.65	27.17	35.83	41.93	49.49	57.80	63.90	71.50	88.98	106.50	110.63
	mm	455	588	550	690	910	1065	1257	1468	1623	1816	2260	2705	2810
W	in	10	10	10	14	18	20	25	27	24	24	24	24	24
	mm	250	250	250	350	450	500	640	680	610	610	610	610	610
Weight RF	kg	45	55	76	127	277	485	754	936	1316	1672	2070	2405	4550



Figure No. GA9RCB5 GA15RCB5 GA25RCB5
 GA9BCB5 GA15BCB5 GA25BCB5
 GA9JCB5 GA15JCB5 GA25JCB5

FEATURES

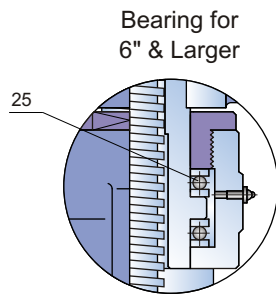
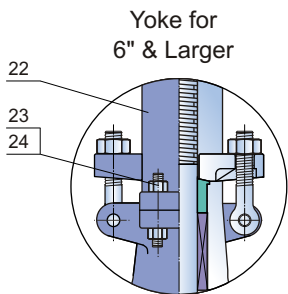
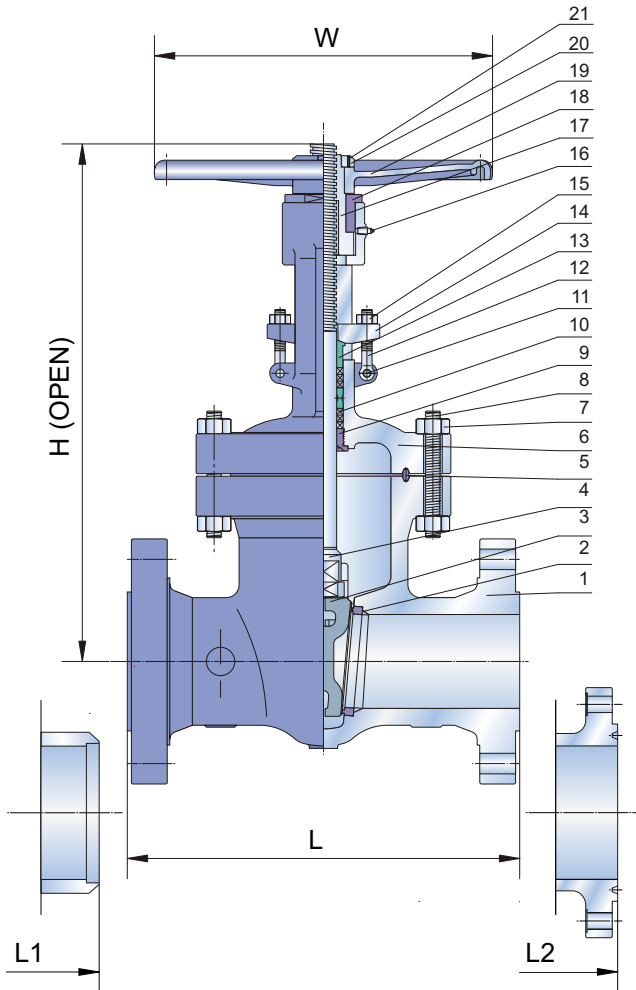
OS & Y, Rising Stem
Bolted Bonnet
Flexible Wedge (2" Solid)
Extended Bonnet for Cryogenic Services
By Pass On Request
Locking Device Optional

SPECIFICATIONS

Design	ASME B16.34/API 600
Face to Face	ASME B16.10
End to End	ASME B16.10
End Flange	ASME B16.5
BW End	ASME B16.25
Test	API 598
Special	NACE MR-01-75

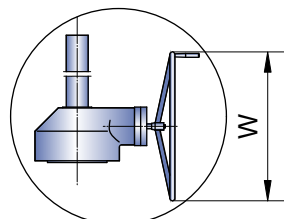
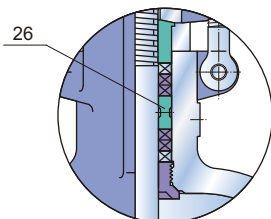
STANDARD MATERIALS OF PARTS

ITEM	PART NAME	MATERIAL
1	Body	ASTM A216 GR.WCB
2	Seat Ring	ASTM A105 + Stellite Faced
3	Disc	ASTM A216 GR.WCB+Stellite Faced
4	Stem	ASTM A182 GR.F6
5	Gasket, Ring Joint	Soft Iron
6	Bonnet	ASTM A216 GR.WCB
7	Bonnet Bolt Nuts	ASTM A194 GR.2H
8	Bonnet Bolts	ASTM A193 GR.B7
9	Backseat Bushing	ASTM A276 Type 410
10	Stem Packing	Braided Graphite & Die formed Graphite Ring
11	Eye Bolt Pins	Carbon Steel
12	Gland Eye Bolts	ASTM A307 GR.B
13	Gland	ASTM A276 Type 410
14	Gland Flange	ASTM A216 GR.WCB
15	Eye Bolt Nuts	ASTM A194 GR.2H
16	Grease Nipple	Carbon Steel
17	Stem Nut	ASTM A439 GR.D-2
18	Retaining Nut	Carbon Steel
19	Handwheel	Ductile Iron
20	Handwheel Nut	Carbon Steel
21	Screw	Carbon Steel
22	Yoke	ASTM A216 GR.WCB
23	Yoke Pan Bolt Nuts	ASTM A194 GR.2H
24	Yoke Pan Bolts	ASTM A193 GR.B7
25	Bearing	Steel
26	Lantern Ring On Request	ASTM A276 Type 410



Lantern Ring On Request

Gear Standard for 10" & Larger (900)
 8" & Larger (1500)
 6" & Larger (2500)



Dimensions and Weights								CLASS 900	
SIZE	in	2"	2.5"	3"	4"	6"	8"	10"	12"
L/L1	in	14.50	16.50	15.00	18.00	24.00	29.00	33.00	38.00
	mm	368	419	381	457	610	737	838	965
L2	in	14.62	16.62	15.12	18.12	24.12	29.12	33.12	38.12
	mm	371	422	384	460	613	740	841	968
H	in	24.41	27.76	29.02	32.48	41.93	47.99	52.95	72.44
	mm	620	705	737	825	1065	1219	1345	1840
W	in	12	14	14	16	20	24	24	24
	mm	300	350	350	400	500	600	610	610
Weight RF	kg	95	108	125	194	378	635	900	1550

Dimensions and Weights								CLASS 1500	
SIZE	in	2"	2.5"	3"	4"	6"	8"	10"	12"
L/L1	in	14.50	16.50	18.50	21.50	27.75	32.75	39.00	44.50
	mm	368	419	470	546	705	832	991	1130
L2	in	14.62	16.62	18.62	21.62	28.00	33.13	39.38	45.12
	mm	371	422	473	549	711	842	1000	1146
H	in	27.36	27.76	30.31	34.33	42.99	55.12	62.99	72.44
	mm	695	705	770	872	1092	1400	1600	1840
W	in	14	16	16	20	24	24	24	24
	mm	350	400	400	500	600	610	610	610
Weight RF	kg	95	128	181	275	627	1000	2200	3300

Dimensions and Weights								CLASS 2500	
SIZE	in	2"	2.5"	3"	4"	6"	8"	10"	12"
L/L1	in	17.75	20.00	22.75	26.50	36.00	40.25	50.00	56.00
	mm	451	508	578	673	914	1022	1270	1422
L2	in	17.87	20.25	23.00	26.88	36.50	40.87	50.88	56.88
	mm	454	514	584	683	927	1038	1292	1445
H	in	27.56	29.53	34.92	43.19	57.09	63.39	81.73	89.80
	mm	700	750	887	1079	1450	1610	2076	2281
W	in	14	18	18	20	24	24	24	24
	mm	350	450	450	500	610	610	610	610
Weight RF	kg	135	210	271	506	1600	2450	4570	7150