



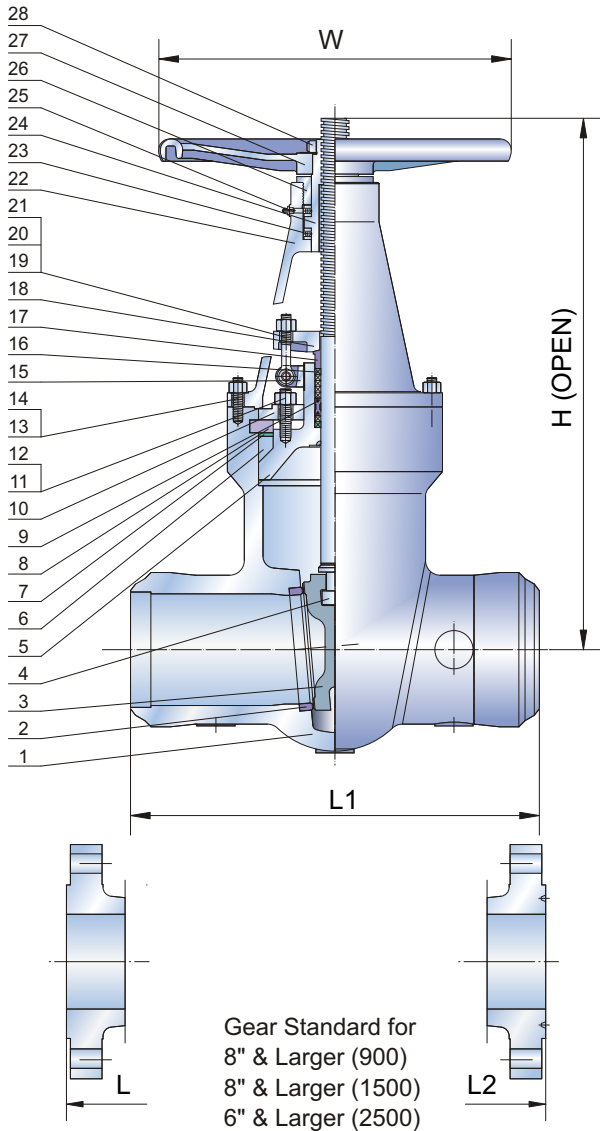
Figure No. GA9RCB5-P GA15RCB5-P GA25RCB5-P
 GA9BCB5-P GA15BCB5-P GA25BCB5-P
 GA9JCB5-P GA15JCB5-P GA25JCB5-P

FEATURES

OS & Y, Rising Stem
Pressure Seal
Flexible Wedge
Backseat Weld-Deposited
By Pass On Request
Locking Device Optional
Gear Optional

SPECIFICATIONS

Design	ASME B16.34
Face to Face	ASME B16.10
End to End	ASME B16.10
End Flange	ASME B16.5
BW End	ASME B16.25
Test	API 598
Special	NACE MR-01-75



Gear Standard for
 8" & Larger (900)
 8" & Larger (1500)
 6" & Larger (2500)

STANDARD MATERIALS OF PARTS

ITEM	PART NAME	MATERIAL
1	Body	ASTM A216 GR.WCB
2	Seat Ring	ASTM A105+Stellite Faced
3	Disc	ASTM A216 GR.WCB+Stellite Faced
4	Stem	ASTM A182 GR.F6
5	Bonnet	ASTM A216 GR.WCB+Stellite Faced
6	Gasket	ASTM A182 GR.F304
7	Thrust Ring	ASTM A276 Type 410
8	Separate Ring	Carbon Steel
9	Lantern Ring On Request	ASTM A276 Type 410
10	Bonnet Retainer	Carbon Steel
11	Bonnet Bolts	ASTM A193 GR.B7
12	Bonnet Bolt Nuts	ASTM A194 GR.2H
13	Yoke Bolts	ASTM A193 GR.B7
14	Yoke Bolt Nuts	ASTM A194 GR.2H
15	Gland Eye	ASTM A216 GR.WCB
16	Stem Packing	Braided Graphite & Die formed Graphite Ring
17	Gland	ASTM A276 Type 410
18	Gland Flange	ASTM A216 GR.WCB
19	Eye Bolt Pins	Carbon Steel
20	Gland Eye Bolts	ASTM A193 GR.B7
21	Eye Bolt Nuts	ASTM A194 GR.2H
22	Yoke	ASTM A216 GR.WCB
23	Bearing	Steel
24	Stem Nut	ASTM A439 GR.D-2
25	Grease Nipple	Carbon Steel
26	Retaining Nut	Carbon Steel
27	Handwheel	Ductile Iron
28	Handwheel Nut	Carbon Steel

Dimensions and Weights		CLASS 900							
SIZE		2"	2.5"	3"	4"	6"	8"	10"	12"
L	in	14.50	16.50	15.00	18.00	24.00	29.00	33.00	38.00
	mm	368	419	381	457	610	737	838	965
L1	in	8.50	10.00	12.00	14.00	20.00	26.00	31.00	36.00
	mm	216	254	305	356	508	660	787	914
L2	in	14.62	16.62	15.12	18.12	24.12	29.12	33.12	38.12
	mm	371	422	384	460	613	740	841	968
H	in	24.00	30.00	30.71	33.86	40.35	50.63	60.63	70.28
	mm	610	762	780	860	1025	1286	1540	1785
W	in	12	14	14	16	20	24	24	24
	mm	300	350	350	400	500	610	610	610
Weight BW	kg	50	72	86	110	202	530	782	1135

Dimensions and Weights		CLASS 2500							
SIZE		2"	2.5"	3"	4"	6"	8"	10"	12"
L	in	17.75	20.00	22.75	26.50	36.00	40.25	50.00	56.00
	mm	451	508	578	673	914	1022	1270	1422
L1	in	11.00	13.00	14.50	18.00	24.00	30.00	36.00	41.00
	mm	279	330	368	457	610	762	914	1041
L2	in	17.87	20.25	23.00	26.88	36.50	40.87	50.88	56.88
	mm	454	514	584	683	927	1038	1292	1445
H	in	24.00	30.55	30.90	34.40	44.02	53.46	66.14	74.50
	mm	610	776	785	874	1118	1358	1680	1892
W	in	14	18	18	20	24	24	24	24
	mm	350	450	450	500	610	610	610	610
Weight BW	kg	60	112	122	192	480	830	1678	2320

Dimensions and Weights		CLASS 1500							
SIZE		2"	2.5"	3"	4"	6"	8"	10"	12"
L	in	14.50	16.50	18.50	21.50	27.75	32.75	39.00	44.50
	mm	368	419	470	546	705	832	991	1130
L1	in	8.50	10.00	12.00	16.00	22.00	28.00	34.00	39.00
	mm	216	254	305	406	559	711	864	991
L2	in	14.62	16.62	18.62	21.62	28.00	33.13	39.38	45.12
	mm	371	422	473	549	711	842	1000	1146
H	in	24.00	30.55	30.90	34.40	40.35	53.46	61.74	74.50
	mm	610	776	785	874	1025	1358	1568	1892
W	in	12	16	16	20	24	24	24	24
	mm	300	400	400	500	600	610	610	610
Weight BW	kg	50	78	92	145	230	540	1060	1184