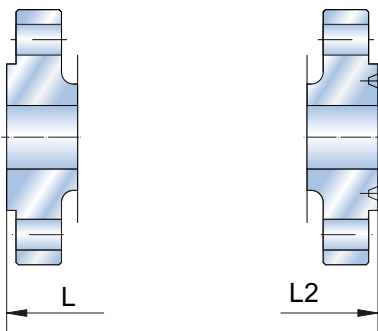
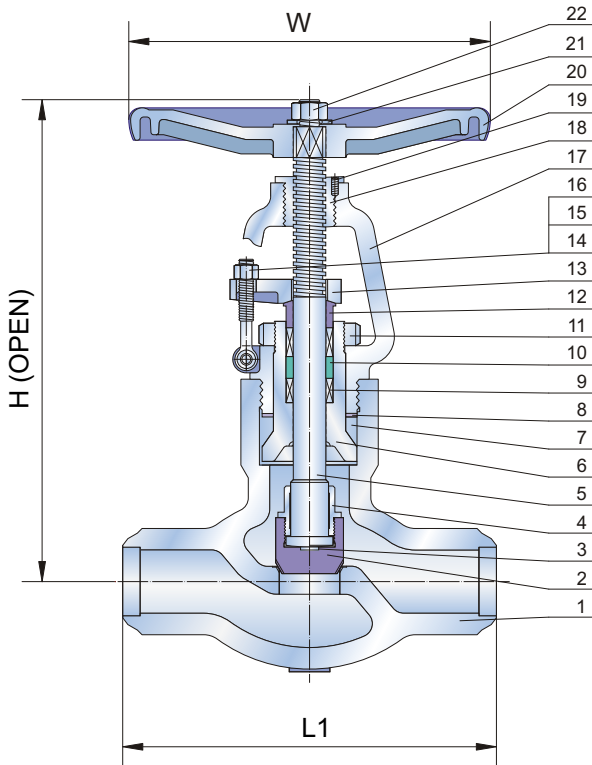




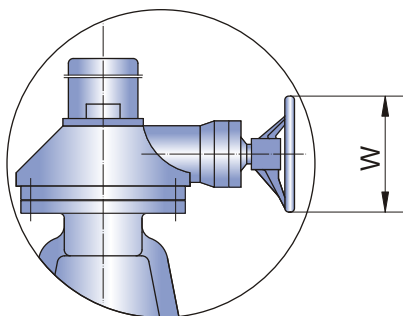
Pressure Seal Globe Valve

Class 900-2500

Figure No. GL9RCB5-P GL15RCB5-P GL25RCB5-P
 GL9BCB5-P GL15BCB5-P GL25BCB5-P
 GL9JCB5-P GL15JCB5-P GL25JCB5-P



Gear Standard for
 6" & Larger (900)
 6" & Larger (1500)
 4" & Larger (2500)



FEATURES

OS & Y, Rising Stem
Pressure Seal
Conic Disc
Backseat Weld-Deposited
By Pass On Request
Locking Device Optional
Gear Optional

SPECIFICATIONS

Design	ASME B16.34
Face to Face	ASME B16.10
End to End	ASME B16.10
End Flange	ASME B16.5
BW End	ASME B16.25
Test	API 598
Special	NACE MR-01-75

STANDARD MATERIALS OF PARTS

ITEM	PART NAME	MATERIAL
1	Body	ASTM A216 GR.WCB+Stellite Faced
2	Disc	ASTM A105+Stellite Faced
3	Disc Thrust Plate	ASTM A276 Type 420
4	Disc Nut	ASTM A276 Type 410
5	Stem	ASTM A182 GR.F6
6	Bonnet	ASTM A216 Gr.WCB+Stellite Faced
7	Gasket	ASTM A182 GR.F304
8	Thrust Ring	ASTM A276 Type 410
9	Stem Packing	Braided Graphite & Die formed Graphite Ring
10	Lantern Ring	ASTM A276 Type 410
11	Bonnet Retainer	Carbon Steel
12	Gland	ASTM A276 Type 410
13	Gland Flange	ASTM A216 GR.WCB
14	Eye Bolt Pins	Carbon Steel
15	Gland Eye Bolts	ASTM A193 GR.B7
16	Eye Bolt Nuts	ASTM A194 GR.2H
17	Yoke	ASTM A216 GR.WCB
18	Yoke Bush	ASTM A439 GR.D-2
19	Screw	Carbon Steel
20	Handwheel	Ductile Iron
21	Washer	Carbon Steel
22	Handwheel Nut	ASTM A194 GR.2H

Dimensions and Weights		CLASS 900					
SIZE	in	2"	2.5"	3"	4"	6"	8"
	mm	50	65	80	100	150	200
L/L1	in	14.50	16.50	15.00	18.00	24.00	29.00
	mm	368	419	381	457	610	737
L2	in	14.62	16.62	15.12	18.12	24.12	29.12
	mm	371	422	384	460	613	740
H	in	24.41	25.40	28.50	33.40	48.23	53.15
	mm	620	645	724	848	1225	1350
W	in	14	14	18	20	24	24
	mm	350	350	450	500	610	610
Weight BW	kg	62	86	86	140	380	948

Dimensions and Weights		CLASS 1500					
SIZE	in	2"	2.5"	3"	4"	6"	8"
	mm	50	65	80	100	150	200
L/L1	in	14.50	16.50	18.50	21.50	27.75	32.75
	mm	368	419	470	546	705	832
L2	in	14.62	16.62	18.62	21.62	28.00	33.13
	mm	371	422	473	549	711	842
H	in	24.41	25.40	32.68	33.86	48.50	70.24
	mm	620	645	830	860	1232	1784
W	in	14	14	20	22	24	24
	mm	350	350	500	560	610	610
Weight BW	kg	62	86	112	158	765	1494

Dimensions and Weights		CLASS 2500					
SIZE	in	2"	2.5"	3"	4"	6"	8"
	mm	50	65	80	100	150	200
L/L1	in	17.75	20.00	22.75	26.50	36.00	40.25
	mm	451	508	578	673	914	1022
L2	in	17.87	20.25	23.00	26.88	36.50	40.87
	mm	454	514	584	683	927	1038
H	in	24.41	30.63	34.84	51.10	53.74	83.46
	mm	620	778	885	1298	1365	2120
W	in	16	20	22	24	24	24
	mm	400	500	560	610	610	610
Weight BW	kg	80	115	152	358	965	2095