



Figure No. CH9RCB5-P CH15RCB5-P CH25RCB5-P  
 CH9CB5-P CH15BCB5-P CH25BCB5-P  
 CH9JCB5-P CH15JCB5-P CH25JCB5-P

**FEATURES**

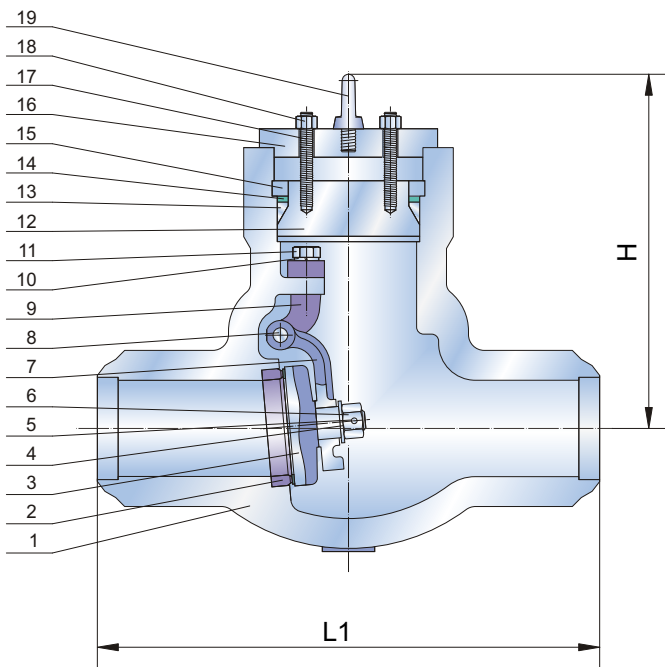
Pressure Seal
Swing Type Disc
Type 1 Standard
Type 2 Optional
With Eye Bolt
By Pass On Request
Lever & Weight Optional

**SPECIFICATIONS**

Design	ASME B16.34
Face to Face	ASME B16.10
End to End	ASME B16.10
End Flange	ASME B16.5
BW End	ASME B16.25
Test	API 598
Special	NACE MR-01-75

**STANDARD MATERIALS OF PARTS**

ITEM	PART NAME	MATERIAL
1	Body	ASTM A216 GR.WCB
2	Seat Ring	ASTM A105 + Setllite Faced
3	Disc	ASTM A216 GR.WCB + Setllite Faced
4	Disc Washer	ASTM A276 Type 410
5	Disc Nut Pin	Stainless Steel
6	Disc Nut	Stainless Steel
7	Hinge	ASTM A216 GR.WCB
8	Hinge Pin	ASTM A182 GR.F6
9	Bearing Bracket	ASTM A216 GR.WCB
10	Spring Washer	Carbon Steel
11	Hex, Bolt	Carbon Steel
12	Bonnet	ASTM A216 GR.WCB
13	Gasket	ASTM A182 GR.F304
14	Thrust Ring	ASTM A276 Type 410
15	Separate Ring	ASTM A276 Type 410
16	Cover	ASTM A216 GR.WCB
17	Cover Bolts	ASTM A193 GR.B7
18	Cover Bolt Nuts	ASTM A194 GR.2H
19	Eye Bolt	Carbon Steel



Dimensions and Weights		CLASS 900								
SIZE	in	2"	2.5"	3"	4"	6"	8"	10"	12"	
L/L1	mm	50	65	80	100	150	200	250	300	
	in	14.50	16.50	15.00	18.00	24.00	29.00	33.00	38.00	
L2	mm	368	419	381	457	610	737	838	965	
	in	14.62	16.62	15.12	18.12	24.12	29.12	33.12	38.12	
H	mm	296	300	300	327	441	502	664	775	
	in	11.65	11.81	11.81	12.87	17.36	19.76	26.14	30.51	
Weight BW	kg	50	77	68	115	230	387	632	910	

Dimensions and Weights		CLASS 1500								
SIZE	in	2"	2.5"	3"	4"	6"	8"	10"	12"	
L/L1	mm	50	65	80	100	150	200	250	300	
	in	14.50	16.50	18.50	21.50	27.75	32.75	39.00	44.50	
L2	mm	368	419	470	546	705	832	991	1130	
	in	14.62	16.62	18.62	21.62	28.00	33.13	39.38	45.12	
H	mm	371	422	473	549	711	841	1000	1146	
	in	11.65	11.81	13.43	16.22	20.12	26.77	29.76	33.74	
Weight BW	kg	50	77	115	190	452	845	1280	1780	

Dimensions and Weights		CLASS 2500								
SIZE	in	2"	2.5"	3"	4"	6"	8"	10"	12"	
L/L1	mm	50	65	80	100	150	200	250	300	
	in	17.75	20.00	22.75	26.50	36.00	40.25	50.00	56.00	
L2	mm	451	508	578	673	914	1022	1270	1422	
	in	17.87	20.25	23.00	26.88	36.50	40.87	50.88	56.88	
H	mm	454	514	584	683	927	1038	1292	1445	
	in	16.38	16.50	17.36	18.86	20.12	27.99	33.50	39.37	
Weight BW	kg	416	419	441	479	511	711	851	1000	
	kg	110	190	260	535	1110	1980	2980	4350	

