



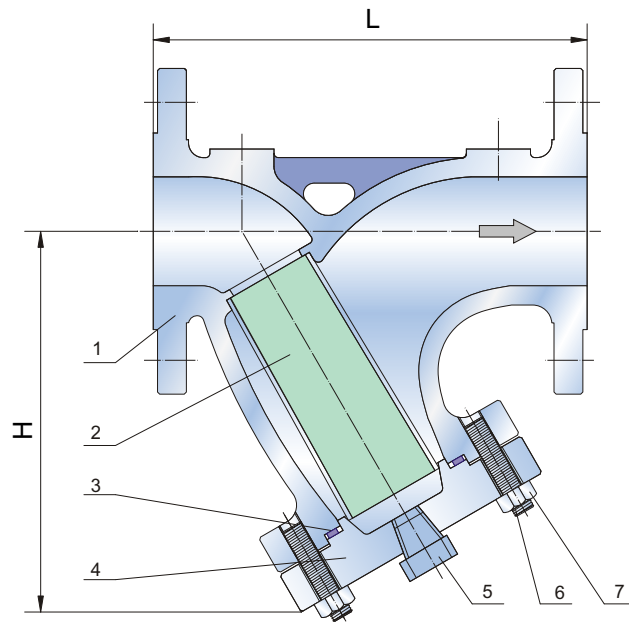
Figure No. ST1RCB  
ST3RCB

### SPECIFICATIONS

Design	ASME B16.34
Face to Face	ASME B16.10
End Flange	ASME B16.5
Test	API 598

### STANDARD MATERIALS OF PARTS

ITEM	PART NAME	MATERIAL
1	Body	ASTM A216 GR.WCB
2	Screen	ASTM A276 Type 304
3	Gasket	304+Graphite
4	Cover	ASTM A216 GR.WCB
5	Plug	ASTM A105
6	Cover Bolts	ASTM A193 GR.B7
7	Cover Bolt Nuts	ASTM A194 GR.2H



Dimensions and Weights										CLASS 150
SIZE	in	2"	2.5"	3"	4"	6"	8"	10"	12"	
	mm	50	65	80	100	150	200	250	300	
L	in	8.00	8.50	9.50	11.50	16.00	19.50	24.50	27.50	
	mm	203	216	241	292	406	495	622	699	
H	in	5.71	7.20	8.11	8.98	12.95	17.32	19.96	23.39	
	mm	145	183	206	228	329	440	507	594	
Weight	kg	12	18	21	32	48	105	169	215	

Dimensions and Weights										CLASS 300
SIZE	in	2"	2.5"	3"	4"	6"	8"	10"	12"	
	mm	50	65	80	100	150	200	250	300	
L	in	10.50	11.50	12.50	14.00	17.50	22.00	24.50	28.00	
	mm	267	292	318	356	445	559	622	711	
H	in	6.70	7.28	9.25	11.42	14.76	17.72	22.64	26.18	
	mm	170	185	235	290	375	450	575	665	
Weight	kg	15	18	35	51	92	182	285	307	