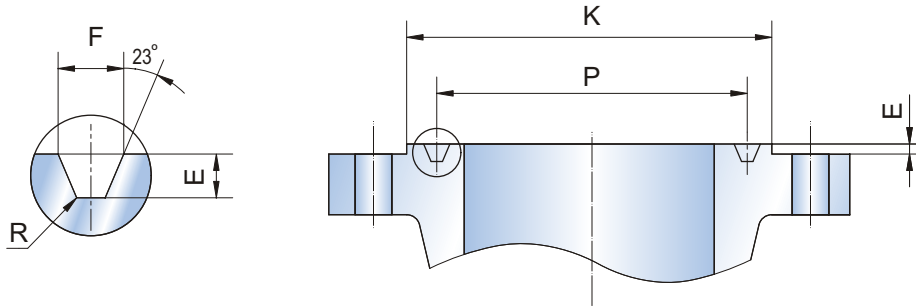




# Dimensions of Ring Joint Facing Class 150-2500

## CLASS 150-2500 RTJ



CLASS	SIZE		Ring No.	P		E		F		R		K	
	in	mm		in	mm	in	mm	in	mm	in	mm	in	mm
150	2	50	R22	3.250	82.55	0.250	6.35	0.344	8.74	0.03	0.8	4.00	102
	2 1/2	65	R25	4.000	101.60	0.250	6.35	0.344	8.74	0.03	0.8	4.75	121
	3	80	R29	4.500	114.30	0.250	6.35	0.344	8.74	0.03	0.8	5.25	133
	4	100	R36	5.875	149.22	0.250	6.35	0.344	8.74	0.03	0.8	6.75	171
	6	150	R43	7.625	193.68	0.250	6.35	0.344	8.74	0.03	0.8	8.62	219
	8	200	R48	9.750	247.65	0.250	6.35	0.344	8.74	0.03	0.8	10.75	273
	10	250	R52	12.000	304.80	0.250	6.35	0.344	8.74	0.03	0.8	13.00	330
	12	300	R56	15.000	381.00	0.250	6.35	0.344	8.74	0.03	0.8	16.00	406
	14	350	R59	15.625	396.88	0.250	6.35	0.344	8.74	0.03	0.8	16.75	425
	16	400	R64	17.875	454.02	0.250	6.35	0.344	8.74	0.03	0.8	19.00	483
	18	450	R68	20.375	517.52	0.250	6.35	0.344	8.74	0.03	0.8	21.50	546
	20	500	R72	22.000	558.80	0.250	6.35	0.344	8.74	0.03	0.8	23.50	597
24	600	R76	26.500	673.10	0.250	6.35	0.344	8.74	0.03	0.8	28.00	711	
300 600	2	50	R23	3.250	82.55	0.312	7.92	0.469	11.91	0.03	0.8	4.25	108
	2 1/2	65	R26	4.000	101.60	0.312	7.92	0.469	11.91	0.03	0.8	5.00	127
	3	80	R31	4.875	123.82	0.312	7.92	0.469	11.91	0.03	0.8	5.75	146
	4	100	R37	5.875	149.22	0.312	7.92	0.469	11.91	0.03	0.8	6.88	175
	6	150	R45	8.312	211.13	0.312	7.92	0.469	11.91	0.03	0.8	9.50	241
	8	200	R49	10.625	269.88	0.312	7.92	0.469	11.91	0.03	0.8	11.88	302
	10	250	R53	12.750	323.85	0.312	7.92	0.469	11.91	0.03	0.8	14.00	356
	12	300	R57	15.000	381.00	0.312	7.92	0.469	11.91	0.03	0.8	16.25	413
	14	350	R61	16.500	419.10	0.312	7.92	0.469	11.91	0.03	0.8	18.00	457
	16	400	R65	18.500	469.90	0.312	7.92	0.469	11.91	0.03	0.8	20.00	508
	18	450	R69	21.000	533.40	0.312	7.92	0.469	11.91	0.03	0.8	22.62	575
	20	500	R73	23.000	584.20	0.375	9.52	0.531	13.49	0.06	1.5	25.00	635
	24	600	R77	27.250	692.15	0.438	11.13	0.656	16.66	0.06	1.5	29.50	749
	26	650	R93	29.500	749.30	0.500	12.7	0.781	19.84	0.06	1.5	31.88	861
	28	700	R94	31.500	800.10	0.500	12.7	0.781	19.84	0.06	1.5	33.88	861
	30	750	R95	33.750	857.25	0.500	12.7	0.781	19.84	0.06	1.5	36.12	917
	32	800	R96	36.000	914.40	0.562	14.27	0.906	23.01	0.06	1.5	38.75	984
	36	900	R98	40.250	1022.35	0.562	14.27	0.906	23.01	0.06	1.5	43.00	1092

CLASS	SIZE		Ring No.	P		E		F		R		K	
	in	mm		in	mm	in	mm	in	mm	in	mm	in	mm
900	2	50	R24	3.750	95.25	0.312	7.92	0.469	11.91	0.03	0.8	4.88	124
	2 1/2	65	R27	4.250	107.95	0.312	7.92	0.469	11.91	0.03	0.8	5.38	137
	3	80	R31	4.875	123.82	0.312	7.92	0.469	11.91	0.03	0.8	6.12	156
	4	100	R37	5.875	149.22	0.312	7.92	0.469	11.91	0.03	0.8	7.12	181
	6	150	R45	8.312	211.12	0.312	7.92	0.469	11.91	0.03	0.8	9.50	241
	8	200	R49	10.625	269.88	0.312	7.92	0.469	11.91	0.03	0.8	12.12	308
	10	250	R53	12.750	323.85	0.312	7.92	0.469	11.91	0.03	0.8	14.25	362
	12	300	R57	15.000	381.00	0.312	7.92	0.469	11.91	0.03	0.8	16.50	419
	14	350	R62	16.500	419.10	0.438	11.13	0.656	16.66	0.06	1.5	18.38	467
	16	400	R66	18.500	469.90	0.438	11.13	0.656	16.66	0.06	1.5	20.62	524
	18	450	R70	21.000	533.40	0.500	12.7	0.781	19.84	0.06	1.5	23.38	594
	20	500	R74	23.000	584.20	0.500	12.7	0.781	19.84	0.06	1.5	25.50	648
24	600	R78	27.250	692.15	0.625	15.88	1.062	26.97	0.09	2.3	30.38	772	
1500	2	50	R24	3.750	95.25	0.312	7.92	0.469	11.91	0.03	0.8	4.88	124
	2 1/2	65	R27	4.250	107.95	0.312	7.92	0.469	11.91	0.03	0.8	5.38	137
	3	80	R35	5.375	136.52	0.312	7.92	0.469	11.91	0.03	0.8	6.62	168
	4	100	R39	6.375	161.92	0.312	7.92	0.469	11.91	0.03	0.8	7.62	194
	6	150	R46	8.312	211.12	0.375	9.52	0.531	13.49	0.06	1.5	9.75	248
	8	200	R50	10.625	269.88	0.438	11.13	0.656	16.66	0.06	1.5	12.50	318
	10	250	R54	12.750	323.85	0.438	11.13	0.656	16.66	0.06	1.5	14.62	371
	12	300	R58	15.000	381.00	0.562	14.27	0.906	23.01	0.06	1.5	17.25	438
	14	350	R63	16.500	419.10	0.625	15.88	1.062	26.97	0.09	2.3	19.25	489
	16	400	R67	18.500	469.90	0.688	17.48	1.188	30.18	0.09	2.3	21.50	546
	18	450	R71	21.000	533.40	0.688	17.48	1.188	30.18	0.09	2.3	24.12	613
	20	500	R75	23.000	584.20	0.688	17.48	1.312	33.32	0.09	2.3	26.50	673
24	600	R79	27.250	692.15	0.812	20.62	1.438	36.53	0.09	2.3	31.25	794	
2500	2	50	R26	4.000	101.60	0.312	7.92	0.469	11.91	0.03	0.8	5.25	133
	2 1/2	65	R28	4.375	111.12	0.375	9.52	0.531	13.49	0.03	0.8	5.88	149
	3	80	R32	5.000	127.00	0.375	9.52	0.531	13.49	0.06	1.5	6.62	168
	4	100	R38	6.188	157.18	0.438	11.13	0.656	16.66	0.06	1.5	8.00	203
	6	150	R47	9.000	228.60	0.500	12.70	0.781	19.84	0.06	1.5	11.00	279
	8	200	R51	11.000	279.40	0.562	14.27	0.906	23.01	0.06	1.5	13.38	340
	10	250	R55	13.500	342.90	0.688	17.48	1.188	30.18	0.09	2.3	16.75	425
	12	300	R60	16.000	406.40	0.688	17.48	1.312	33.32	0.09	2.3	19.50	495

End Flange Dimensions:

Size 2"-24" to ASME B16.5, Size 26"-36" to ASME B16.47 A.

Tolerances: Unit inch

Depth E: + 0.016, -0

Width F: ± 0.008

Pith Diameter P: ± 0.005

Radius at Bottom R: R ≤ 0.06 +0.03, -0

R > 0.06 ± 0.03

Angle 23 Deg.: ± 0.5 Deg.